

4

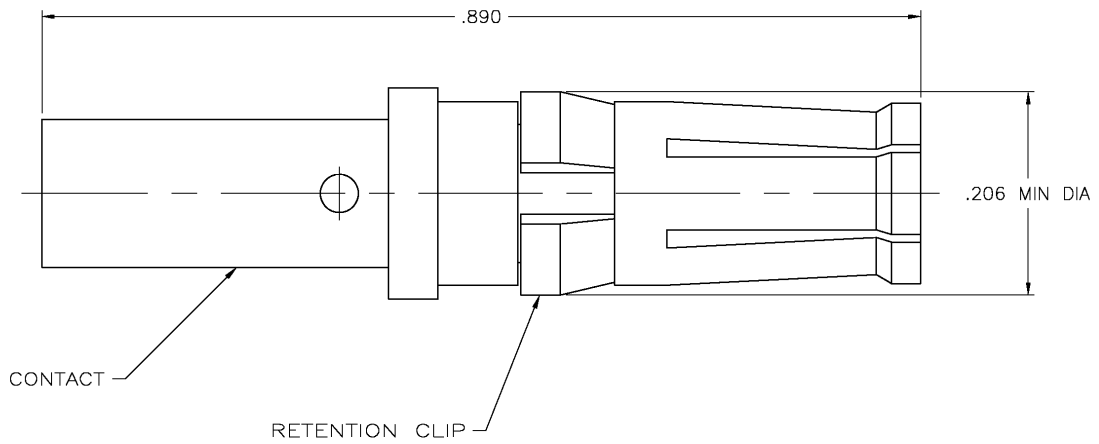
3

2

1

THIS DRAWING IS UNPUBLISHED. RELEASED FOR PUBLICATION  
 © COPYRIGHT - BY TYCO ELECTRONICS CORPORATION. ALL RIGHTS RESERVED.

LOC	DIST	REVISIONS			
P	LTR	DESCRIPTION	DATE	DWN	APVD
B		REVISED PER OG3B-0008-04	1/12/04	SS	GS



213910-1  
 PART NUMBER

- ⚠ CONTACT: BERYLLIUM COPPER.  
RETENTION CLIP: PHOSPHOR BRONZE.
- ⚠ CONTACT: 0.76μm [.000030] MIN GOLD OVER  
1.27μm [.000050] MIN NICKEL.  
RETENTION CLIP: 2.54μm [.000100] MIN NICKEL.
- 3. WIRE BARREL WILL ACCEPT 12-14 AWG WIRE.

THIS DRAWING IS A CONTROLLED DOCUMENT.		DWN D.HARDY 20 OCT 95	Tyco Electronics Corporation Harrisburg, PA 17105	
DIMENSIONS: INCHES		CHK W.G.LENKER 20 OCT 95	NAME CONTACT ASSEMBLY, SOCKET, POWER VIII, METRIMATE	
TOLERANCES UNLESS OTHERWISE SPECIFIED:		APVD M.McALONIS 23 OCT 95	PRODUCT SPEC 108-1317	
0 PLC ± -		APPLICATION SPEC 114-10014		
1 PLC ± -		WEIGHT -		
2 PLC ± -		SIZE A3 CAGE CODE 00779 DRAWING NO C-213910		
3 PLC ± .005		RESTRICTED TO -		
4 PLC ± -		SCALE 10:1 SHEET 1 OF 1 REV B		
ANGLES ± -		CUSTOMER DRAWING		
MATERIAL - ⚠	FINISH - ⚠			