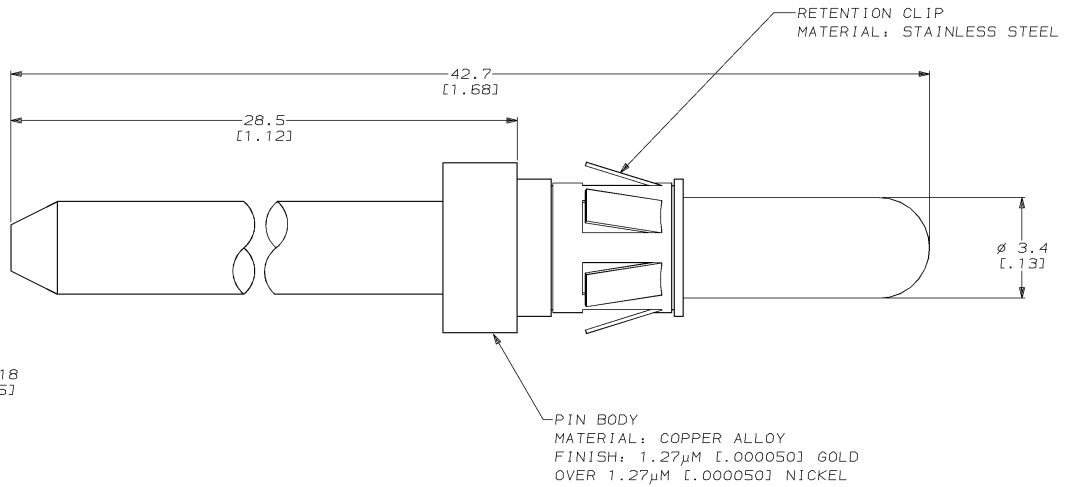
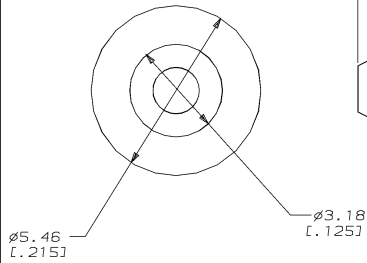
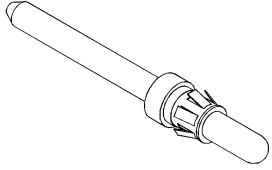


DRAWING MADE IN THIRD ANGLE PROJECTION
 THIS DRAWING IS UNPUBLISHED. RELEASED FOR PUBLICATION .19
 © COPYRIGHT 19 BY AMP INCORPORATED. ALL INTERNATIONAL RIGHTS RESERVED.

LOC				DIST				REVISIONS			
CH	11	P	F	ZONE	LTR	DESCRIPTION	DATE	APPRO			
					0	-					

1. MATES WITH AMP P/N 193813-1.



193814-1

PART NO

DO NOT SCALE PRINT. UNLESS SPECIFIED DIMENSIONS IN mm [INCHES] TOLERANCES ON : 2 PLC DEC @0.51(02) 3 PLC DEC @.25(1.010) ANGLES ± -		DR 07-02-93 D.BABOW	AMP Incorporated Harrisburg, PA 17105-3608	
MATERIAL -		CHK 11-30-93 JMT		
FINISH -		APPD 11-30-93 SRS	NAME PIN ASSY, SOLDER TAIL	
APPD 11-30-93 PRG		APPLICATION SPEC -	SIZE C 00779	DRAWING NO 193814
WEIGHT -		SCALE NONE	SHEET 1 OF 1	

THIS DRAWING IS A CONTROLLED DOCUMENT FOR AMP INCORPORATED. IT IS SUBJECT TO CHANGE AND THE CONTROLLING ENGINEERING ORGANIZATION SHOULD BE CONTACTED FOR THE LATEST REVISION.

AMP 1471-6 REV 3-92
 29 NOV 1993 10:51:55 AMP33428 <US198A>DEPT7309>U.0790>U.CUSTOMER

CUSTOMER DRAWING

193814

A

D

C

B

A

D

C

B

A