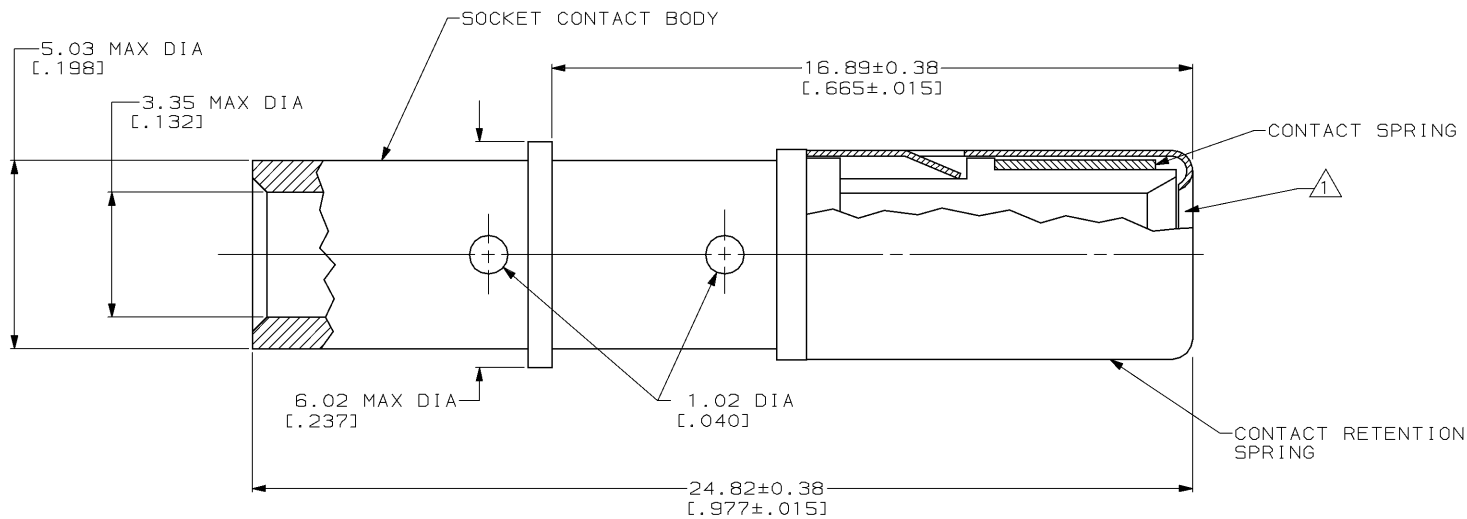


DRAWING MADE IN THIRD ANGLE PROJECTION

THIS DRAWING IS UNPUBLISHED. RELEASED FOR PUBLICATION, 19 .  
 © COPYRIGHT 19 BY AMP INCORPORATED. ALL INTERNATIONAL RIGHTS RESERVED.

MOD	LOC	DIST	P	F	ZONE	LTR	DESCRIPTION	DATE	APPD
25	BD	39					RLSE -1 NPR 5064, WAS 93-5020-007-1	03/03/94	-



- 1 ACCOMMODATES 3.18±0.03 [.125±.001] DIA PIN.
- 2 SOCKET CONTACT BODY: BRASS; CONTACT SPRING: BERYLLIUM COPPER; CONTACT RETENTION SPRING: STAINLESS STEEL.
- 3 1.27µm [.000050] MIN GOLD OVER 1.27µm [.000050] MIN NICKEL.
- 4 0.76µm [.000030] MIN NICKEL.

THIS DRAWING IS A CONTROLLED DOCUMENT FOR AMP INCORPORATED. IT IS SUBJECT TO CHANGE AND THE CONTROLLING ENGINEERING ORGANIZATION SHOULD BE CONTACTED FOR THE LATEST REVISION.

DO NOT SCALE PRINT. UNLESS SPECIFIED DIMENSIONS IN mm (INCHES) TOLERANCES ON: 2 PLC DEC ± 0.13 (.005) 3 PLC DEC ± - ANGLES ± -		DR 03/03/94 D. BELTZ	<b>AMP</b> AMP Incorporated Harrisburg, PA 17105-3608
MATERIAL		CHK 03/04/94 R. STONE	
FINISH SOCKET CONTACT BODY: 3 CONTACT SPRING: 4		APPD 03/07/94 G. STEINHAUER	NAME SOCKET CONTACT ASSEMBLY, TYPE I #10,
APPLICATION SPEC		APPD 03/07/94 G. STEINHAUER	SIZE B CAGE CODE 00779 DRAWING NO C=213790
WEIGHT -		PRODUCT SPEC -	SCALE 10:1 SHEET 1 OF 1

213790-1  
PART NO