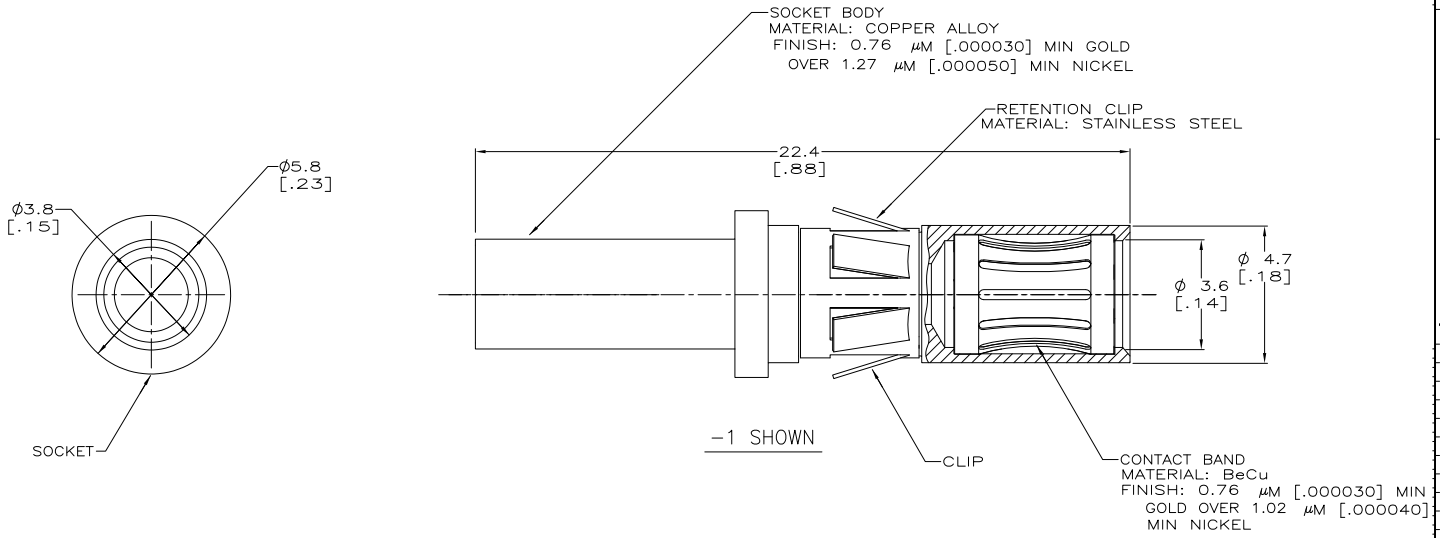


DRAWING MADE IN THIRD ANGLE PROJECTION.
 THIS DRAWING IS UNPUBLISHED. RELEASED FOR PUBLICATION ,19 .
 © COPYRIGHT 19 BY AMP INCORPORATED. ALL INTERNATIONAL RIGHTS RESERVED.

LOC		DIST		REVISIONS		DATE	APPD
CH	11	P	F	ZONE	LTR	DESCRIPTION	
					D	ECN 95032201	03-22-95 CMS
					D1	REVISED PER ECO-09-024717	09NOV99 AEG

1. RETROFIT CONTACT FOR METRIMATE AND AMPLIMATE POWER CONTACT.
 2. WIRE BARREL WILL ACCEPT #12-14 AWG WIRE.
 3. MATES WITH AMP P/N 193534.
- △ OBSOLETE PARTS: OBSOLETE CIS STREAMLINING PER D.RENAUD/D.SINISI



△ OBSOLETE	WITHOUT RET. CLIP	193535-2
	WITH RET. CLIP	193535-1

DO NOT SCALE PRINT. UNLESS SPECIFIED DIMENSIONS IN mm [INCHES] TOLERANCES ON : 2 PLC DEC ± - 3 PLC DEC ± - ANGLES ± -		DR D. BABOW 06-23-92	AMP AMP Incorporated Harrisburg, PA 17105-3608	
MATERIAL	APPD P. GLASER 07-09-92	CHK S. SIEGRIST 07-07-92	NAME SKT ASSY, POWER, 12-14 AWG	
FINISH	APPLICATION SPEC	PRODUCT SPEC	SIZE C 00779	DRAWING NO C-193535
WEIGHT			SCALE 10:1	SHEET 1 OF 1

THIS DRAWING IS A CONTROLLED DOCUMENT FOR AMP INCORPORATED. IT IS SUBJECT TO CHANGE AND THE CONTROLLING ENGINEERING ORGANIZATION SHOULD BE CONTACTED FOR THE LATEST REVISION.

AMP 1471-6 REV 3-92
 22 MAR 1995 09:06:11 AMP21803 <US198A>DFPT7309>U.0790>U.CUSTOMER

CUSTOMER DRAWING