

4

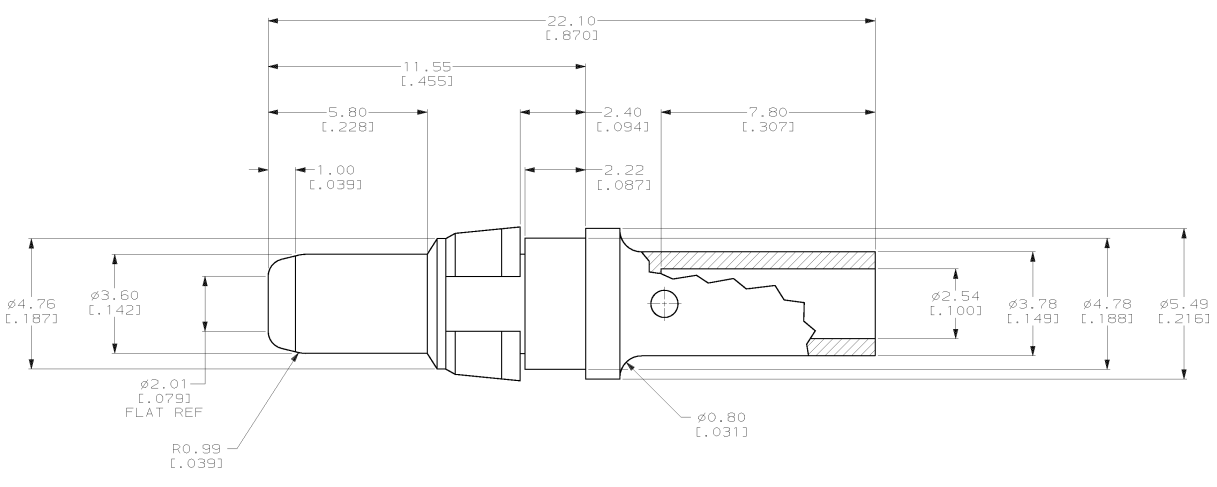
3

2

1

THIS DRAWING IS UNPUBLISHED.
 RELEASED FOR PUBLICATION
 BY AMP INCORPORATED. ALL RIGHTS RESERVED.

LOC	DATE	REV	DESCRIPTION	DATE	BY	APPD
AD	25	F	LTR			
		C	REDRAWN PER EC 0U1B-0034-00	22 MAR 00	-	-
		D	REV PER EC 0U1B-0221-01	08 NOV 01	BC	CR



- 1. CONTACT: BRASS.
RETAINING RING: BERYLLIUM COPPER.
- 2. CONTACT: 0.76µm [0.00030] MIN GOLD
OVER 1.27µm [0.00050] MIN NICKEL.
- 3. WIRE BARREL WILL ACCEPT 12-14 AWG WIRE.
- 4. MATES WITH 148221-1.
- 5. RECOMMENDED CRIMPING TOOL: DANIELS TOOL
#M300-BT, POSITIONER PART NUMBER SP689,
SETTING #1, STRIP LENGTH 8.13 [0.320].

148246-1
 PART NUMBER

THIS DRAWING IS A CONTROLLED DOCUMENT.		DR: S. CARBO 22 MAR 00		AMP Incorporated Harrisburg, PA 17105-3608
DIMENSIONS: mm (INCHES)		CHK: J. RICHARD 22 MAR 00		NAME: POWER CONTACT, MALE, CRIMP, 12-14 AWG, (20 AMP)
TOLERANCES UNLESS OTHERWISE SPECIFIED:		APPD: J. RICHARD 22 MAR 00	STUR: CASE CODE	RESTRICTED TO
0.0125 (1/80) ±0.00125 0.025 (1/40) ±0.0025 0.05 (1/20) ±0.005 0.1 (1/10) ±0.01 ANGLES ±0.5°	FINISH:	PRODUCT SPEC:	PART NO: A200779	SCALE: 10:1
MATERIAL:		REVISION: CUSTOMER DRAWING		SHEET: 1 OF 1 REV: 0