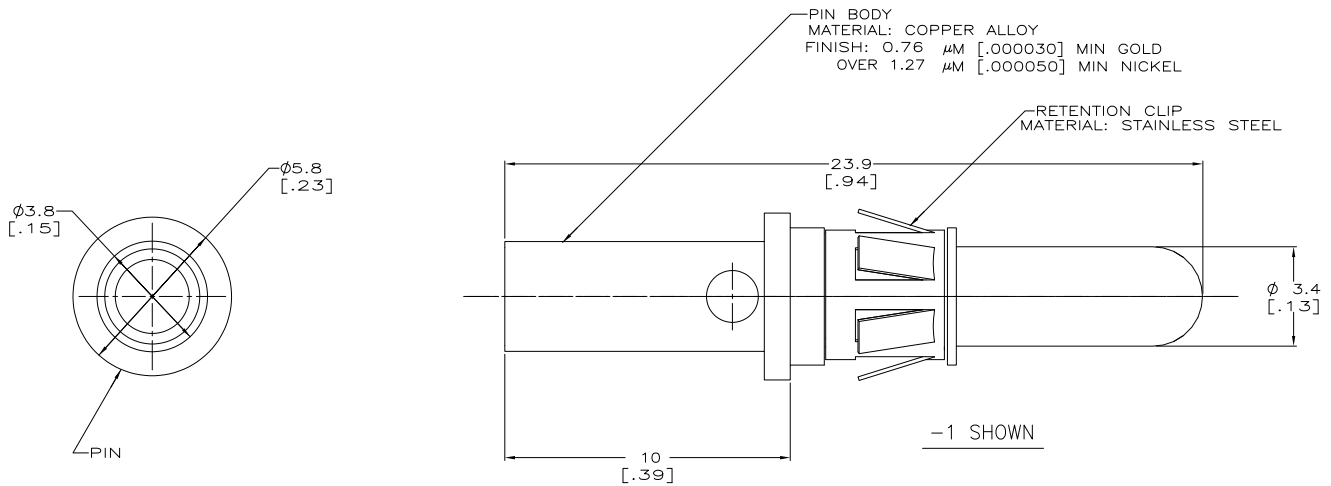


DRAWING MADE IN THIRD ANGLE PROJECTION
 THIS DRAWING IS UNPUBLISHED. RELEASED FOR PUBLICATION ,19
 © COPYRIGHT 19 BY AMP INCORPORATED. ALL INTERNATIONAL RIGHTS RESERVED.

LOC		DIST		ZONE		LTR		REVISIONS		DATE	APPD
CH	11	P	F					C	ECN 95030204	02/04/95	CMS
								C1	REVISED PER ECO-09-024717	04NOV99	AEG

1. RETROFIT CONTACT FOR METRIMATE AND AMPLIMITE POWER CONTACT.
 2. WIRE BARREL WILL ACCEPT #12-14 AWG WIRE.
 3. MATES WITH AMP P/N 193535.
- ⚠️ OBSOLETE PARTS: OBSOLETE CIS STREAMLINING PER D.RENAUD/D.SINISI



⚠️ OBSOLETE	WITHOUT RET. CLIP	193534-2
	WITH RET. CLIP	193534-1

DO NOT SCALE PRINT. UNLESS SPECIFIED DIMENSIONS IN mm [INCHES]		DR D. BABOW 06-23-92		PART NO	
TOLERANCES ON : 2 PLC DEC ± - 3 PLC DEC ± - ANGLES ± -		CHK S. SIEGRIST 07-07-92		AMP AMP Incorporated Harrisburg, PA 17105-3608	
MATERIAL		APPD D. PETRIE 07-09-92		NAME	
FINISH		APPD P. GLASER 07-09-92		PIN ASSY, POWER 12-14 AWG	
APPLICATION SPEC		SIZE	CAGE CODE	DRAWING NO	
-		Ⓢ	00779	Ⓢ-193534	
WEIGHT		SCALE		SHEET	1 OF 1
-				CUSTOMER DRAWING	

THIS DRAWING IS A CONTROLLED DOCUMENT FOR AMP INCORPORATED. IT IS SUBJECT TO CHANGE AND THE CONTROLLING ENGINEERING ORGANIZATION SHOULD BE CONTACTED FOR THE LATEST REVISION.