

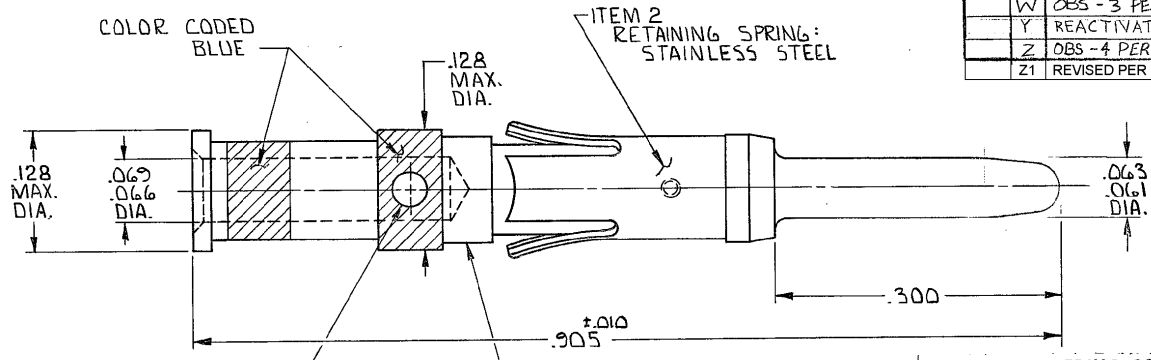
DRAWING MADE IN AMERICAN PROJECTION

© 1961 BY AMP INCORPORATED. ALL RIGHTS RESERVED. AMP PRODUCTS COVERED BY PATENTS AND/OR PATENTS PENDING.

NOTE:  
 ⚠️ OBSOLETE PARTS: OBSOLETE CIS STREAMLINING PER D.RENAUD/D.SINISI

- 200681-1** 1. AS SHOWN  
 1. SAME AS -1 EXCEPT:  
 2. FINISH ITEM 1: .0001 SILVER OVER .00003 NICKEL.
- 200681-2** OBSOLETE
- 200681-3** 1. SAME AS -1 EXCEPT:  
 2. MOUNTED ON TAPE.
- 200681-4** 1. SAME AS -1 EXCEPT:  
 2. FINISH ITEM 1: .00005 MIN GOLD OVER .00005 MIN NICKEL
- 200681-5** 1. SAME AS -4 EXCEPT:  
 2. MOUNTED ON TAPE.

REVISIONS				
ZONE	LTR	DESCRIPTION	DATE	APPROVED
	K	REVISED & REDRAWN PER B-1314B-19	4/2/71	RS/ABM
B-1	K1	NOTE ADDED ECN B-141	7/14/71	JW/PAS
	L	REVISED PER ECN B-840	8/13/72	Qny
	M	OBSOLETE - S ECN C-776 AS	9-15-74	SDH
	N	REACTIVATE - 5 PER ECN E-539	11/24/76	THW
	P	OBSOLETE - 5 PER ECN J-496	11/15/82	THW
	R	OBS. - 2 PER ECN R-2753	3-17-87	MPH/THW
	S	REVISED ECN S4142	9-17-87	THW
	T	OBS - 3 PER ECN S4350	12-15-87	THW
	U	REACTIVATE - 3 PER ECN S4462	3-1-88	THW
	V	REV PER ECN 8D2619	3-20-89	THW
	W	OBS - 3 PER ECN 0020-344-93	6-2-93	RSK
	Y	REACTIVATE - 3 EC 0020-732-93	7-9-93	GS
	Z	OBS - 4 PER EC 0020-D184-93	11-16-94	RK
	Z1	REVISED PER ECO-09-026346	26NOV09	AEG

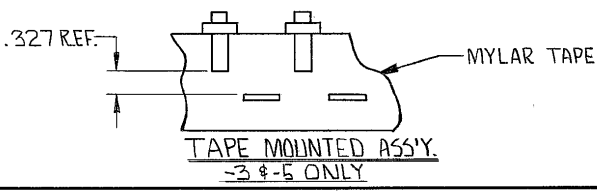


±.015  
 .031 DIA.  
 INSPECTION HOLE

ITEM 1  
 BODY: COPPER ALLOY  
 .000030 MIN GOLD OVER  
 .000050 MIN NICKEL

ITEM 2  
 RETAINING SPRING:  
 STAINLESS STEEL

WHEN ORDERING CONTACT ON TAPE, ORDER BY THE TAPE NUMBER PLUS THE PACKAGING CODE AS FOLLOWS:  
 1. FOR USE WITH AMP TAPETRONIC, PNEUMATIC TOOL - A. 1000 PARTS TO A BOX ADD PACKAGING CODE: 1MBOX  
 2. FOR USE WITH 4/8 INDENT STRIPPER CRIMPER - A. 1000 PARTS TO A REEL ADD PACKAGING CODE: 1MREEL B. 5000 PARTS TO A REEL ADD PACKAGING CODE: 5MREEL



UNLESS OTHERWISE SPECIFIED DIMENSIONS ARE IN INCHES TOLERANCES ON: DECIMALS ±.005 ANGLES ±.1°	CONTRACT NO.	AMP INCORPORATED - HARRISBURG, PENNSYLVANIA	
	DATE	NAME	# 16 CONTACT - PIN
	APPD	REL	TYPE II - SPECIAL SHORT
	MATERIAL	SIZE	CODE IDENT NO.
SEE CALLOUT	DISGN APPD	B 00779	NUMBER 200681
	OTHER APPD	SCALE NTS	SHEET 1 OF 1