

DRAWING MADE IN THIRD ANGLE PROJECTION

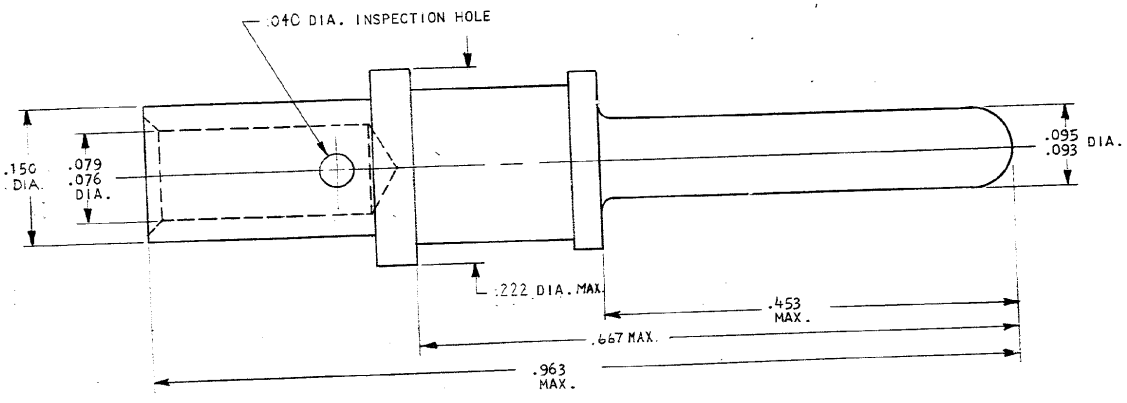
© COPYRIGHT 1977 BY AMP INCORPORATED, HARRISBURG, PA.
 ALL INTERNATIONAL RIGHTS RESERVED. AMP INCORPORATED PRODUCTS
 COVERED BY U. S. AND FOREIGN PATENTS AND/OR PATENTS PENDING.

202423-3

1. AS SHOWN
2. PLATING .000030 GOLD PER MIL-G-45204 OVER NICKEL PER QQ-N-290

1		LOC	R	DIST	59	
P	F	ZONE	LTR	DESCRIPTION	DATE	APPROVED
		0		RELEASED	12-14-77	<i>[Signature]</i>

UNPUBLISHED COPY
 NOT TO BE REPRODUCED
 WITHOUT WRITTEN PERMISSION
 OF AMP INCORPORATED



UNLESS OTHERWISE SPECIFIED DIMENSIONS ARE IN INCHES. TOLERANCES ON DECIMALS ± .005 ANGLES ± .005		CONTRACT NO. DR <i>[Signature]</i> 12-19-77		AMP INCORPORATED Harrisburg, Pa.	
MATERIAL	COMMERCIAL BRONZE	NAME	PIN CONTACT BODY #18-16 WIRE SIZE		
FINISH	SEE DASH NO.	SIZE	B	CODE IDENT NO.	00779
OTHER APPD		DRAWING NO.	202423		
SCALE		SHEET 1 OF 1		PART NO.	

CUSTOMER DRAWING