

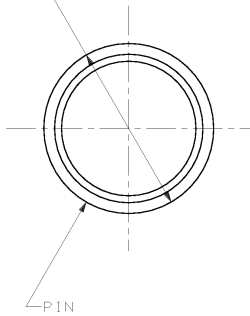
THIS DRAWING IS UNPUBLISHED. RELEASED FOR PUBLICATION .19
 © COPYRIGHT 19 BY AMP INCORPORATED. ALL INTERNATIONAL RIGHTS RESERVED.

LOC	DIST	P	F	ZONE	LTR	REVISIONS	DATE	APPRO
CH	111				B	ECN 95030204		

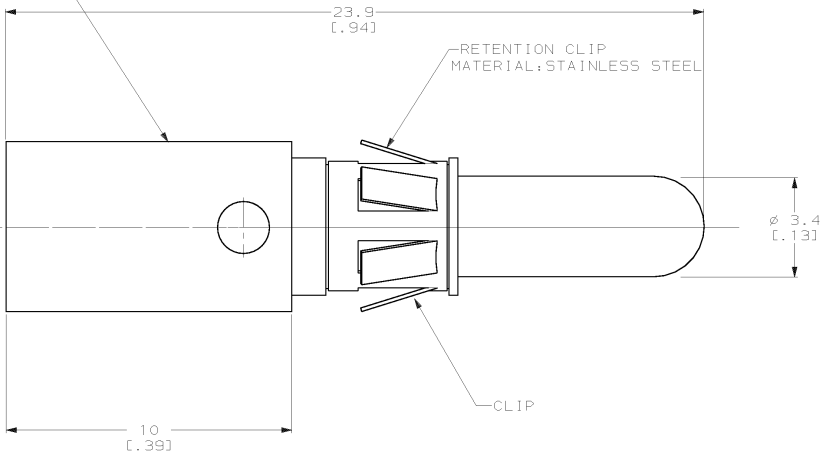
1. RETROFIT CONTACT FOR METRIMATE AND AMPLIMITE POWER CONTACT.
2. WIRE BARREL WILL ACCEPT #8 AWG WIRE.
3. MATES WITH PN 193458-1.

PIN BODY
 MATERIAL: COPPER ALLOY
 FINISH: 0.76µM [.000030] MIN GOLD OVER
 1.27µM [.000050] MIN NICKEL

∅ 5.8
 [.23]



PIN



193457-1

PART NO

DO NOT SCALE PRINT. UNLESS SPECIFIED DIMENSIONS IN mm (INCHES) TOLERANCES ON: 2 PLC DEC # - 3 PLC DEC # - ANGLES # -		DR D. WILSON 05-27-92	AMP Incorporated Harrisburg, PA 17105-3608	
MATERIAL -		CHK S. STEGRIST 05-27-92		
FINISH -		APPD A. GRIFFIN 05-27-92	NAME PIN, POWER, #8 AWG	
APPLICATION SPEC -		APPD P. GLASER 05-27-92	SIZE C 00779	DRAWING NO C-193457
WEIGHT -		PRODUCT SPEC -	SCALE 10:1	SHEET 1 OF 1

WAS 92-9991-004

THIS DRAWING IS A CONTROLLED DOCUMENT FOR AMP INCORPORATED. IT IS SUBJECT TO CHANGE AND THE CONTROLLING ENGINEERING ORGANIZATION SHOULD BE CONTACTED FOR THE LATEST REVISION.

CUSTOMER DRAWING