

REVISED 201645

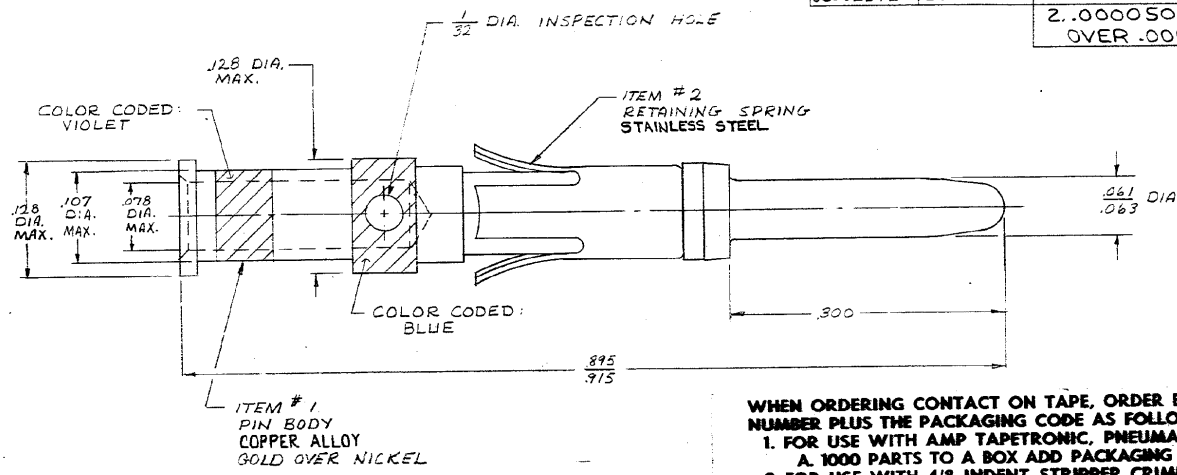
USED ON

8

DIMENSIONS IN INCHES. DO NOT SCALE PRINT.

39

201645-1 .000030 MIN GOLD OVER
 OBSOLETE 201645-2 1.000050 MIN NICKEL.
 OBSOLETE 201645-3 1. SAME AS -1 EXCEPT
 2. 0.000050 GOLD OVER .000030 NI.



WHEN ORDERING CONTACT ON TAPE, ORDER BY THE TAPE NUMBER PLUS THE PACKAGING CODE AS FOLLOWS:
 1. FOR USE WITH AMP TAPETRONIC, PNEUMATIC TOOL -
 A. 1000 PARTS TO A BOX ADD PACKAGING CODE: 1MBOX
 2. FOR USE WITH 4/8 INDENT STRIPPER CRIMPER -
 A. 1000 PARTS TO A REEL ADD PACKAGING CODE: 1MREEL
 B. 5000 PARTS TO A REEL ADD PACKAGING CODE: 5MREEL

L	REVISED FCN 5D2619	1/2/73	3-29
K	CLASS - 1 PER FCN	3/23/73	1/1/73
J	OPS - 1 PER FCN	3/23/73	1/1/73
H	REVISED	3/14/73	1/1/73
G	REV PER FCN	3/14/73	1/1/73
F	ADD'D 3 PER FCN	3/14/73	1/1/73
E	NOTE ADDED	3/14/73	1/1/73
D	REV. RETAINER SPRING TO SET	3/14/73	1/1/73
C	APPROVED	3/14/73	1/1/73
B	REVISED	3/14/73	1/1/73
A	REVISED	3/14/73	1/1/73
	NOTE WAS BRONZE ON RETAINING SPRING	3/14/73	1/1/73
	REVISION RECORD	ECA	DATE

MATERIAL	SEE CALL OUT	DR 1229	12/29/73
HEAT TREAT	SEE CALL OUT	1/3/74	1/3/74
FINISH	SEE CALL OUT	AMP INCORPORATED HARRISBURG, PENNA.	
NAME	#16 PIN CONTACT ASSY SPECIAL SHORT		
WIRE SIZE	#12		
SCALE	10:1	LOC	B
NO	201645		REV. L

CUSTOMER DRAWING