

4

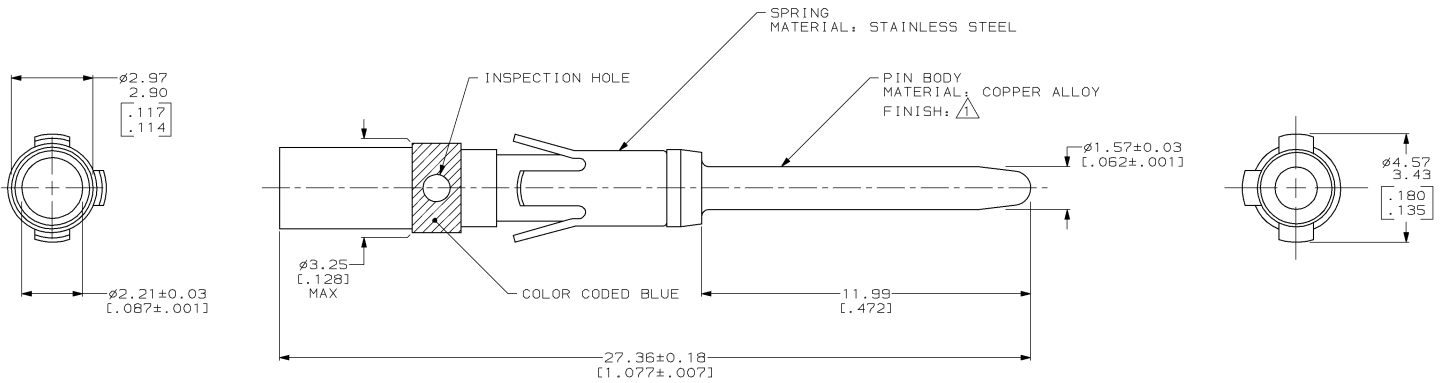
3

2

1

THIS DRAWING IS UNPUBLISHED. RELEASED FOR PUBLICATION
 BY AMP INCORPORATED. ALL RIGHTS RESERVED.

| LOC | DIST | REVISIONS | | | |
|-----|------|---------------------------------------|-----------|-----|------|
| F | LWR | DESCRIPTION | DATE | OWN | APPD |
| FT | 8 | | | | |
| F | | REDRAWN W/O CHANGE PER EC 0320-109-96 | 01 DEC 97 | - | - |



202725-1
 PART NUMBER

| | | | |
|--|--|---------------------------|---|
| THIS DRAWING IS A CONTROLLED DOCUMENT. | | DN: S. CARBO 01 DEC 97 | AMP AMP Incorporated Harrisburg, PA 17105-3608 |
| | | CHK: R. STONE 10 DEC 97 | |
| DIMENSIONS: mm (INCHES) | | APPRO: R. STONE 08 JAN 98 | CONTACT ASSEMBLY, PIN, #16, WIRE SIZE-(2) #18, TYPE II |
| TOLERANCES UNLESS SPECIFIED: | | NAME: S. STEINHAUER | |
| 0 PLG ±.01 0 PLG ±.02 0 PLG ±0.13 (1.005) 0 PLG ±.01 0 PLG ±.01 ANGLES ±.01 | | PRODUCT SPEC: - | SIZE: CASE CODE DRAWING NO: A200779 |
| MATERIAL: SEE CALLOUTS | | APPLICATION SPEC: - | RESTRICTED TO: - |
| FINISH: SEE CALLOUTS | | WEIGHT: - | SCALE: 10:1 SHEET 1 OF 1 REV F |
| | | CUSTOMER DRAWING | |

202725