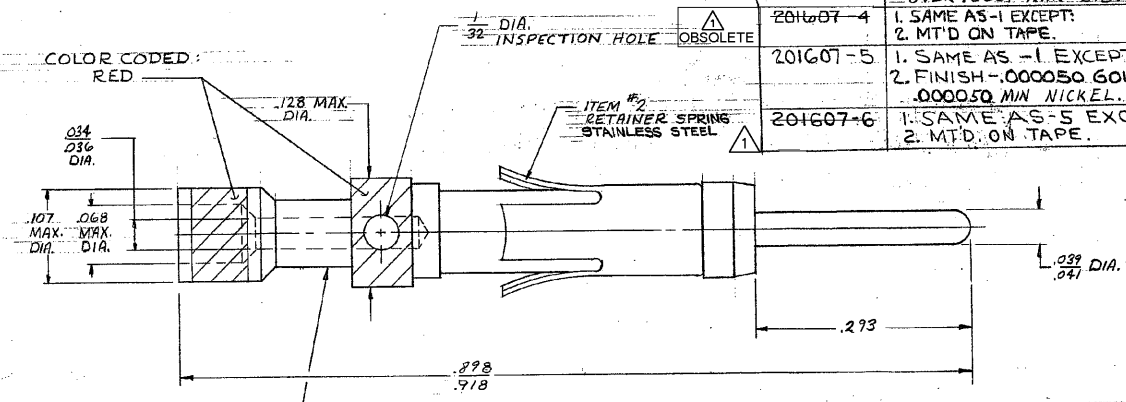


NUMBER  
201607

NOTES:

⚠ OBSOLETE PARTS: OBSOLETE CIS STREAMLINING PER D.RENAUD/D.SINISI

201607-1	1. AS SHOWN
<del>OBSOLETE</del> 201607-2	1. SAME AS -1 EXCEPT: 2. FINISH OF ITEM 1: .0001 MIN SILVER OVER .00005 MIN NICKEL
<del>OBSOLETE</del> 201607-3	1. SAME AS -1 EXCEPT: 2. FINISH OF ITEM 1: .0001 MIN GOLD OVER .0001 MIN SILVER
<del>OBSOLETE</del> 201607-4	1. SAME AS -1 EXCEPT: 2. MTD ON TAPE.
201607-5	1. SAME AS -1 EXCEPT: 2. FINISH: .000050 GOLD MIN OVER .000050 MIN NICKEL.
201607-6	1. SAME AS -5 EXCEPT: 2. MTD ON TAPE.

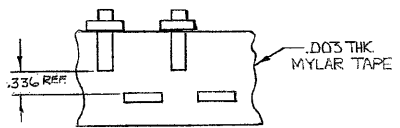


COLOR CODED:  
RED

ITEM #1  
PIN BODY  
COPPER ALLOY  
.00003 MIN GOLD OVER  
.00005 MIN NICKEL

ITEM #2  
RETAINER SPRING  
STAINLESS STEEL

WHEN ORDERING CONTACT ON TAPE, ORDER BY THE TAPE NUMBER PLUS THE PACKAGING CODE AS FOLLOWS:  
1. FOR USE WITH AMP TAPETRONIC, PNEUMATIC TOOL—  
A. 1000 PARTS TO A BOX ADD PACKAGING CODE: 1MBOX  
2. FOR USE WITH 4/8 INDENT STRIPPER CRIMPER—  
A. 1000 PARTS TO A REEL ADD PACKAGING CODE: 1MREEL  
B. 5000 PARTS TO A REEL ADD PACKAGING CODE: 5MREEL



TAPE MTD ASS'Y  
201607-4 AND  
201607-6 ONLY.

PRINTED TO SCALE  
DIMENSIONS IN INCHES. DO NOT SCALE PRINT.

REV	DESCRIPTION	DATE	BY	CHK	REVISION RECORD
M1	REVISED PER ECO-09-026346				
M	REACTIVATE -4 PER EC				
L	OGIC-62-98				
K	OBS-3-4 PER ECN BDE816				
J	OBS-2 PER ECN BD3038				
I	REV PER ECN 802619				
H	REACTIVATE & REV				
G	REVISED				
F	OBSOLETE -4				
E	ADDED -4 PER				
D	NOTE ADDED				
C	REVISED				
B	REV. RETAINER SPRING TO SST				
A	ADDED -4				
	REVISED				
	REVISED				
LTR	REVISION RECORD				

MATERIAL SEE CALL OUT	DR: <i>[Signature]</i> 12-1-67
HEAT TREAT SEE CALL OUT	W: <i>[Signature]</i> 12-1-67
FINISH SEE CALL OUT	AMP INCORPORATED HARRISBURG, PENNA.
NAME #20 PIN CONTACT ASS'Y	
WIRE SIZE 28-29 ~ OBS ~ 035 INS. DIA	
SCALE 10:1	LOC B
NO 201607	REV M1

DECIMALS: 8 0005  
FRACTIONS: 8 1/64  
ANGLES: 8 1/2°

CUSTOMER DRAWING