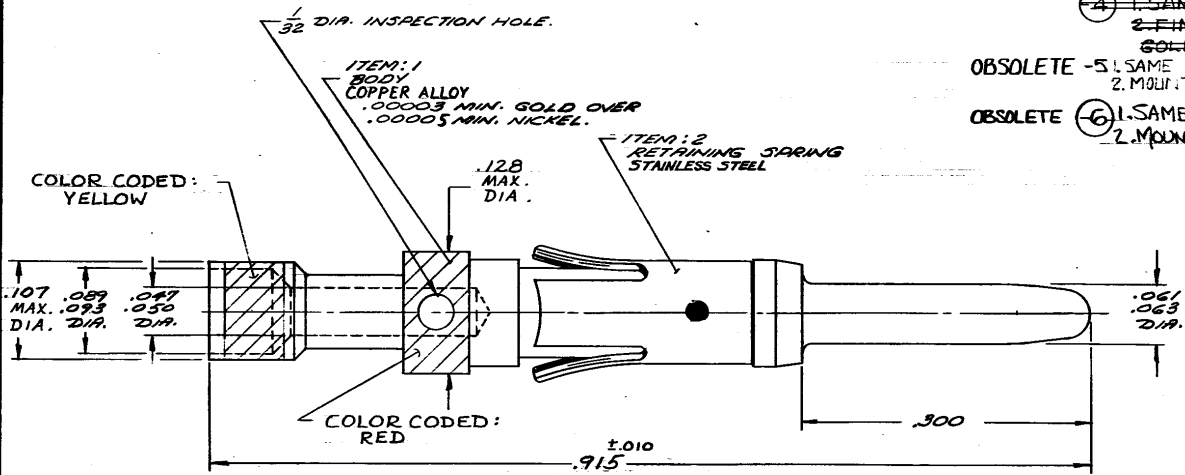
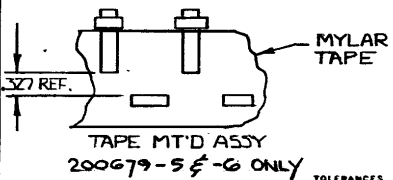


**WHEN ORDERING CONTACT ON TAPE, ORDER BY THE TAPE NUMBER PLUS THE PACKAGING CODE AS FOLLOWS:**

1. FOR USE WITH AMP TAPETRONIC, PNEUMATIC TOOL -
  - A. 1000 PARTS TO A BOX ADD PACKAGING CODE: 1MBOX
2. FOR USE WITH 4/8 INDENT STRIPPER CRIMPER -
  - A. 1000 PARTS TO A REEL ADD PACKAGING CODE: 1MREEL
  - B. 5000 PARTS TO A REEL ADD PACKAGING CODE: 5MREEL



- (-1) 1. AS SHOWN.
- (-2) 1. SAME AS -1 EXCEPT:  
2. FINISH: ITEM 1: .0001 MIN. NICKEL  
SILVER OVER .0003 MIN. NICKEL
- OBSOLETE (-3) 1. SAME AS -1 EXCEPT:  
2. FINISH ITEM 1: .000015 MIN. GOLD OVER .00005 MIN. NICKEL
- (-4) 1. SAME AS -1 EXCEPT:  
2. FINISH ITEM 1: .00005 MIN. GOLD OVER .00003 MIN. NICKEL
- OBSOLETE (-5) 1. SAME AS -1 EXCEPT:  
2. MOUNTED ON TAPE
- OBSOLETE (-6) 1. SAME AS -4 EXCEPT:  
2. MOUNTED ON TAPE



TOLERANCES EXCEPT AS NOTED  
 DECIMALS: ± .008  
 FRACTIONS: ± 1/64  
 ANGLES: ± 1/2°

REV	DESCRIPTION	DATE	BY	CHK
V	OBS -3 PER ENCL 200	10-89	SW	10-89
II	OBSOLETE -5 803036	9-89	SW	9-89
T	REV PER ENCL 802619	3-89	SW	3-89
S	OBS -6/5423	5-89	SW	5-89
LTR	REVISION RECORD			

NUMBER: 200679 NAME: CONTACT - PIN REVISION: 6		© 1967 BY AMP INCORPORATED. ALL RIGHTS RESERVED. AMP PRODUCTS COVERED BY PATENTS AND/OR PATENTS PENDING.		CUSTOMER COPY REFERENCE ONLY	
DR: R. DUNN 2-24-61 CHK: [Signature] 2-28-61		MATERIAL AND FINISH: SEE CALL OUT		AMP INCORPORATED HARRISBURG, PENNA.	
WIRE - RANGE - INSULATION: 24-20 - 11		CLASS: SPECIAL SHORT		TYPE: JL	
TOLERANCE - EXCEPT AS NOTED: ± .010		SCALE: 10:1		LOC: 8D NO: 200679	
APP: [Signature] 2-28-61		NAME: #16 CONTACT - PIN		NO: 200679	

**CUSTOMER DRAWING**

DIMENSIONS IN INCHES. DO NOT SCALE PRINT.