

4

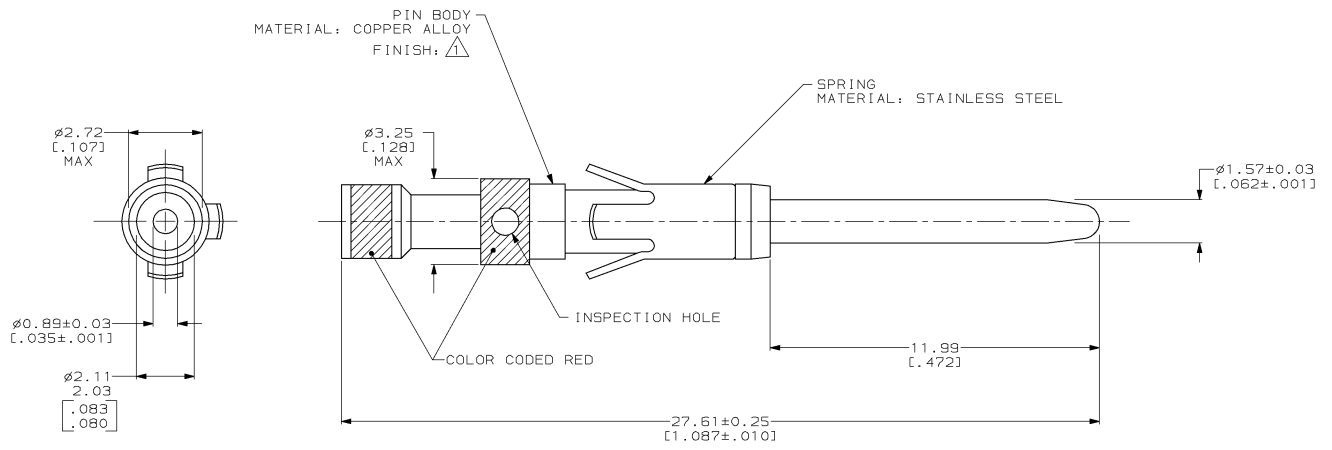
3

2

1

THIS DRAWING IS UNPUBLISHED.
 © COPYRIGHT 19 BY AMP INCORPORATED. ALL RIGHTS RESERVED.

LOC		DIST		REVISIONS			
F	LWR	DESCRIPTION	DATE	OWN	APPD		
	S	REDRAWN W/O CHANGE PER EC 0320-98-96	20 NOV 97	-	-		



Δ 0.76μm [0.000030] MIN GOLD OVER 1.27μm [0.000050] MIN NICKEL.

201334-1
 PART NUMBER

THIS DRAWING IS A CONTROLLED DOCUMENT.		DW: SJ CARBO 20 NOV 97 CK: R. STONE 09 DEC 97 R. STONE 16 DEC 97 NAME: R. STEINHAUER PRODUCT SPEC: - APPLICATION SPEC: - WEIGHT: - FINISH: -	AMP AMP Incorporated Harrisburg, PA 17105-3608 CONTACT ASSEMBLY, PIN, #16, 24-28AWG, TYPE II SIZE: CASE CODE DRAWING NO: A200779 SCALE: 10:1 SHEET 1 OF 1 REV 5
DIMENSIONS: mm (INCHES)	TOLERANCES UNLESS SPECIFIED:	CUSTOMER DRAWING	
Ø PLG ±- Ø PLG ±- Ø PLG ±- (+0.13 (-0.05)) Ø PLG ±- H. PLG ±- ANGLES ±-	SEE CALLOUTS	RESTRICTED TO	