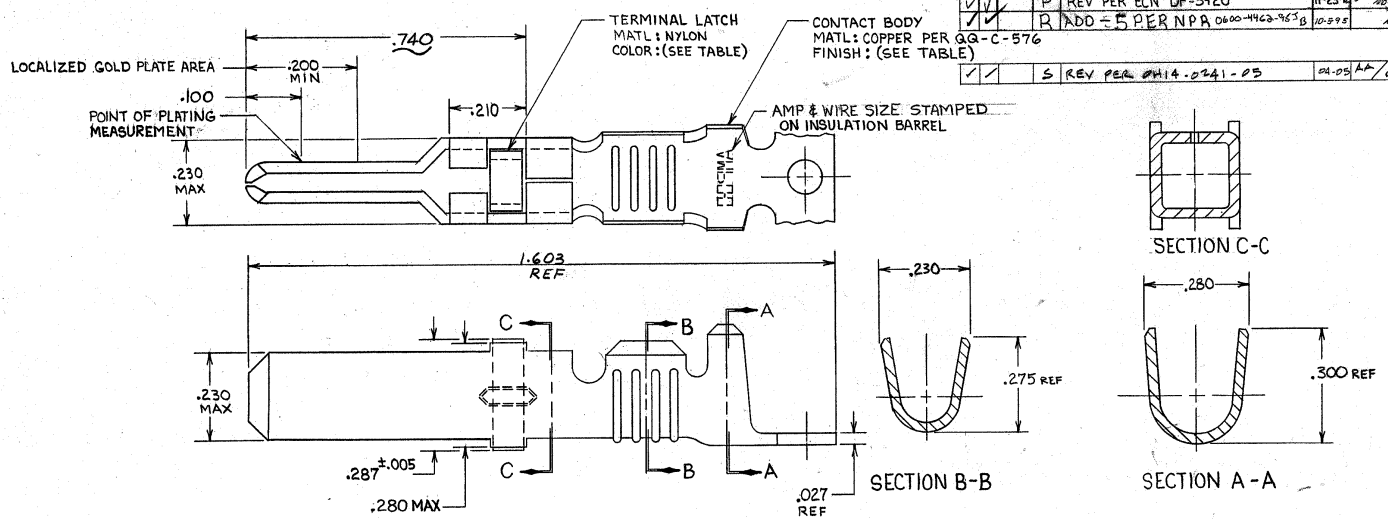


DRAWING MADE IN THIRD ANGLE PROJECTION

THIS DRAWING IS UNPUBLISHED. RELEASED FOR PUBLICATION
 © COPYRIGHT 19 BY AMP INCORPORATED, HARRISBURG, PA. ALL INTERNATIONAL RIGHTS RESERVED. AMP PRODUCTS MAY BE COVERED BY U.S. AND FOREIGN PATENTS AND/OR PATENTS PENDING.

REVISIONS						
P	F	ZONE	LTR	DESCRIPTION	DATE	APPROVED
✓	✓		L	REDRAWN & REVISED PER ECN R-1451	11-30-85	<i>[Signature]</i>
✓	✓		M	REV. / ECN R-1546	3-26-86	<i>[Signature]</i>
✓	✓		N	OBSOLETE - 2 PER R-2760	1-14-86	<i>[Signature]</i>
✓	✓		P	REV PER ECN DF-5920	11-25-87	<i>[Signature]</i>
✓	✓		R	ADD ± 5 PER NPA 0600-4463-9673 B	10-29-88	<i>[Signature]</i>
✓	✓		S	REV PER PH14-0241-03	01-05-89	<i>[Signature]</i>



- ▲ REELED FOR USE WITH STANDARD APPLICATORS.
- ▲ PLATED WITH .000100 MIN SILVER PER Q.Q.-S-365.
- ▲ PLATED WITH .000015 MIN GOLD PER MIL-G-45204 IN THE LOCALIZED GOLD PLATE AREA, GOLD FLASH ON THE REMAINDER, OVER .000030 MIN NICKEL PER Q.Q.-N-290.
- ▲ PLATED WITH .000030 MIN GOLD PER MIL-G-45204 IN THE LOCALIZED GOLD PLATE AREA, GOLD FLASH ON THE REMAINDER, OVER .000030 MIN NICKEL PER Q.Q.-N-290.
- ▲ PLATED WITH .000050 MIN 93-7% TIN-LEAD ALLOY OVER .000030 MIN NICKEL PER Q.Q.-N-290.
- 6. WIRE RANGE = 10 AWG.
- 7. INSULATION RANGE = .190 - .220 DIA.
- ▲ REELED FOR USE WITH QUICK-CHANGE APPLICATOR.
- ▲ PLATED WITH .000050 MIN TIN PER ASTM-B-545 OVER .000030 MIN NICKEL PER Q.Q.-N-290.

BLACK	▲	66260-5	66254-4	▲
BLACK	▲	66260-2	66254-5	▲
NATURAL	▲	66260-4	66254-4	▲
BLACK	▲	66260-1	66254-3	▲
BLACK	▲	66260-2	66254-2	▲
BLACK	▲	66260-1	66254-1	▲
TERMINAL LATCH COLOR	FINISH	L.F. ASSY P/N REF	STRIP ASSY P/N	

UNLESS OTHERWISE SPECIFIED DIMENSIONS ARE IN INCHES. TOLERANCES ON: DECIMALS $\pm .010$ ANGLES $\pm .010$		CONTRACT NO		AMP AMP INCORPORATED Harrisburg, Pa. 17105	
MATERIAL SEE CALLOUT		DR <i>[Signature]</i> 1-30-85 CHK <i>[Signature]</i> 10-25-85 APPD <i>[Signature]</i> 10-25-85 DSGN APPD <i>[Signature]</i> 10-25-85		NAME MALE TYPE II GROUND CONTACT STRIP ASSEMBLY	
FINISH SEE DASH NO		SIZE C	FSCM NO 00779	DRAWING NO 66254	
		SCALE NTS		SHEET	

CUSTOMER DRAWING

66254