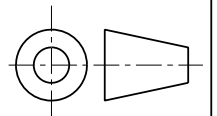


CAD-Original
nicht ändern

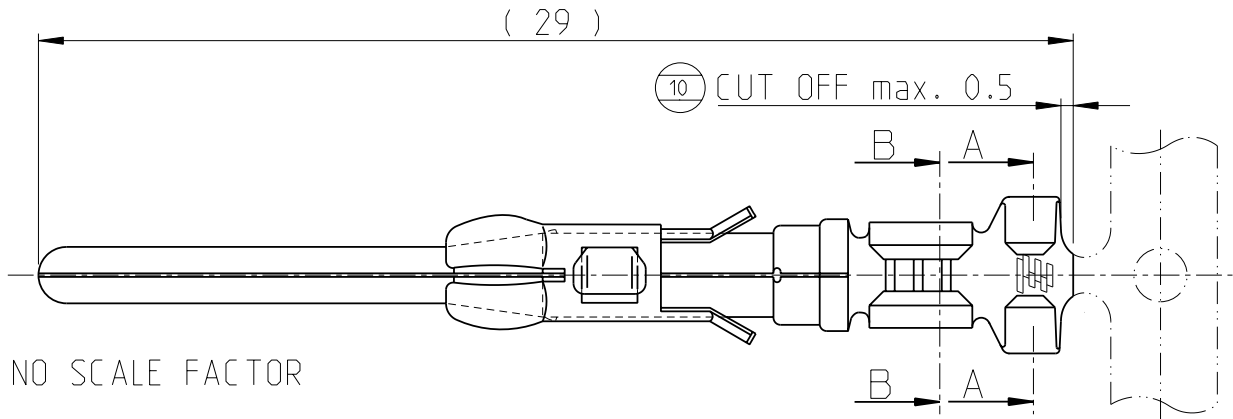
DRAWING VALID FROM: ---
Zeichnung gültig ab: ---

METRIC



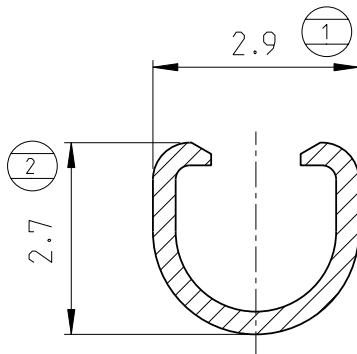
EUROPEAN PROJECTION

USE HANDTOOL: CRIMPAC TOOL II PN 0-825582-0

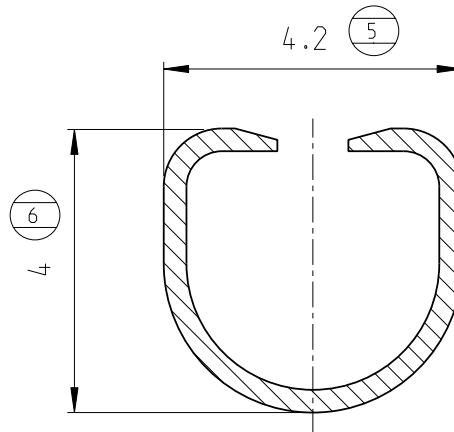


NO SCALE FACTOR

WIRE BARREL
B-B



INSULATION BARREL
A-A



1 CRIMP PRE-FORMED

2 DIMENSIONS FOR STRIP-FORM SEE DRAWING NO. C-926982

0-926982-2	2	PRE TINNED	CuZn 30	0-926983-2	1	C
0-926982-1		PRE TINNED	CuSn 4	0-926983-1		C
MADE FROM		FINISH	MATERIAL	LP NO		REV

LOC										
GT										
DIST										
	C2	SEE ECN	SEE ECR-10-017608	Pavlicek Straka	29SEP2010					
LTR	REVISION RECORD	ECN	DR CHK	DATE						
	DR M. Pavlicek	30JAN2010	APPD T. Konecny	12.10.10						
	CHK P. Straka	06FEB2010	REL							

WIRE RANGE	1-2.5 mm ²	TOLERANCES	±0.2	Tyco Electronics Tyco Electronics Czech s.r.o. CZ- K AMP 1293, 664 34 Kurim
INSULATION RANGE	∅2.4-3.7 mm	NAME	CI 2 PIN (LOOSE PIECE)	
SCALE	10:1	LOC	GT	
		NUMBER	A4	
			926983	REV
				C2