

4

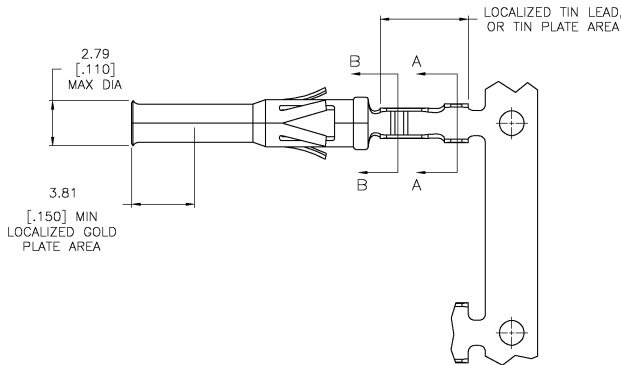
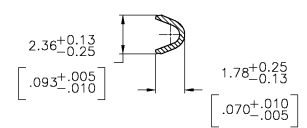
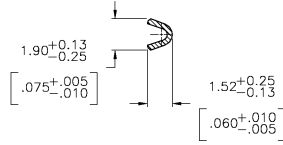
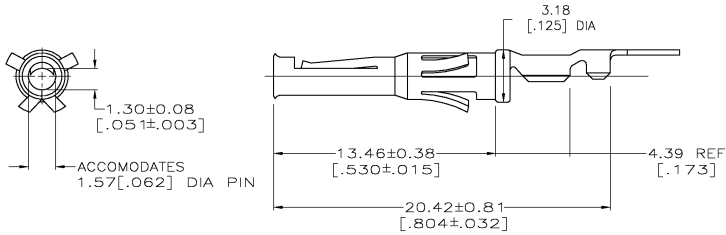
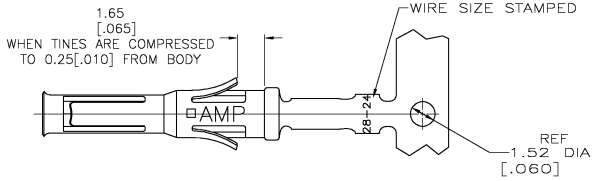
3

2

1

THIS DRAWING IS UNPUBLISHED. RELEASED FOR PUBLICATION.
 © COPYRIGHT BY TYCO ELECTRONICS CORPORATION. ALL RIGHTS RESERVED.

| LOC | DIST | REVISIONS | | | | | |
|-----|------|-----------|-----|--------------------------|----------|-----|------|
| FT | 0 | P | LTR | DESCRIPTION | DATE | OWN | APPD |
| | | F | | REVISED PER 0638-1175-04 | 12/22/04 | SS | GS |



1. WIRE RANGE 28-24 AWG.
 2. INSULATION RANGE 0.89-1.40 [.035-.055] DIA.
 3. FOR LOOSE PIECE PART SEE DWG 66596.
- △ 0.76µm [.000030] MIN GOLD IN LOCALIZED GOLD PLATE AREA, 1.27µm [.000050] MIN TIN-LEAD IN LOCALIZED TIN-LEAD PLATE AREA, BOTH OVER 1.27µm [.000050] MIN NICKEL.
 - △ TIN PLATED.
 - △ GOLD PLATING PER MIL-G-45204, TIN PER MIL-T-10727 AND NICKEL PER QQ-N-290.
 - △ 0.76µm [.000030] MIN GOLD IN LOCALIZED GOLD PLATE AREA, 1.27µm [.000050] MIN TIN IN LOCALIZED TIN PLATE AREA, BOTH OVER 1.27µm [.000050] MIN NICKEL.

| DESCRIPTION | FINISH | PART NO. |
|------------------------------------|--------|----------|
| REVERSE REELED FOR MINI-APPLICATOR | △ | 66586-5 |
| REVERSE REELED FOR MINI-APPLICATOR | △ | 66586-4 |
| - | △ | 66586-3 |
| REVERSE REELED FOR MINI-APPLICATOR | △ | 66586-2 |
| - | △ | 66586-1 |

| | | | | | |
|--|--|-------------------|--|--|--|
| THIS DRAWING IS A CONTROLLED DOCUMENT. | | D. HARDY 06/15/04 | | Tyco Electronics Corporation | |
| C. STONE 06/22/04 | | APPD | | Horrisburg, Pa 17105-3608 | |
| DIMENSIONS: mm (INCHES) | | PRODUCT SPEC | | CONTACT, SOCKET, STRIP, TYPE VI, MULTIMATE | |
| TOLERANCES UNLESS OTHERWISE SPECIFIED | | APPLICATION SPEC | | SHEET 00779 OF 66586 | |
| 0 PLC ± .005 | | FINISH | | RESTRICTED TO | |
| 1 PLC ± .002 | | MATERIAL | | SCALE 6:1 SHEET 1 OF 1 REV F | |
| 2 PLC ± 0.13 (.005) | | FINISH | | | |
| 3 PLC ± .001 | | MATERIAL | | | |
| 4 PLC ± .001 | | FINISH | | | |
| ANGLES | | MATERIAL | | | |
| FINISH | | MATERIAL | | | |
| SEE TABLE | | MATERIAL | | | |
| | | MATERIAL | | | |
| | | MATERIAL | | | |

AMP 1471-9 REV 31 MAR 2000

66586

A