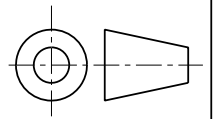


CAD-Original  
nicht ändern

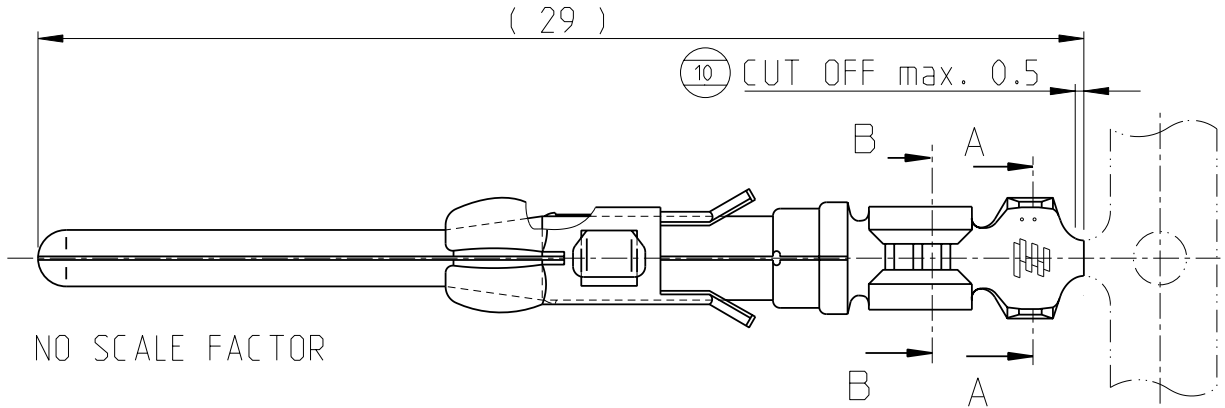
DRAWING VALID FROM: ---  
Zeichnung gültig ab: ---

METRIC



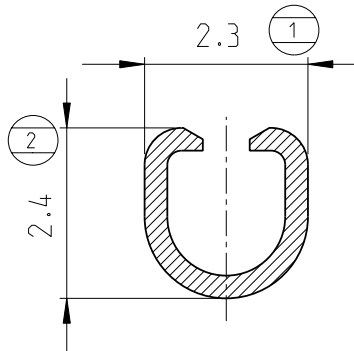
EUROPEAN PROJECTION

USE HANDTOOL: CRIMPAC TOOL II PN 0-825582-0

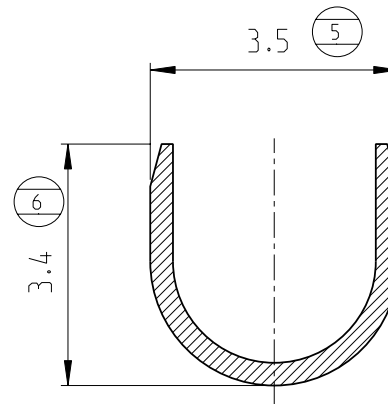


NO SCALE FACTOR

WIRE BARREL  
B-B



INSULATION BARREL  
A-A



1 CRIMP PRE-FORMED

2 DIMENSIONS FOR STRIP-FORM SEE DRAWING NO. C-926980

0-926980-2	2	PRE TINNED	CuZn 30	0-926981-2	1	D
0-926980-1		PRE TINNED	CuSn 4	0-926981-1		D
MADE FROM		FINISH	MATERIAL	LP NO		REV
LOC GT		WIRE RANGE 0.5-1.0 mm <sup>2</sup>		TOLERANCES ±0.2		Tyco Electronics Czech s.r.o. CZ- K AMP 1293, 664 34 Kurim
DIST -		INSULATION RANGE D2 Ø2.0-2.7 mm		NAME CI 2 PIN (LOOSE PIECE)		
LTR	REVISION RECORD	ECN	DR CHK	DATE	SCALE	LOC
DR M. Pavlicek	30JAN2010	APPD T. Konecny		12.10.10	10:1	GT
CHK P. Straka	5FEB2010	REL			A4	NUMBER
					926981	
					REV D2	

THIS INFORMATION IS CONFIDENTIAL AND IS DISCLOSED TO YOU ON CONDITION THAT NO FURTHER DISCLOSURE IS MADE BY YOU TO OTHER THAN AMP PERSONNEL WITHOUT WRITTEN AUTHORIZATION FROM AMP DEUTSCHLAND GMBH, LANGEN B. FFH