

4

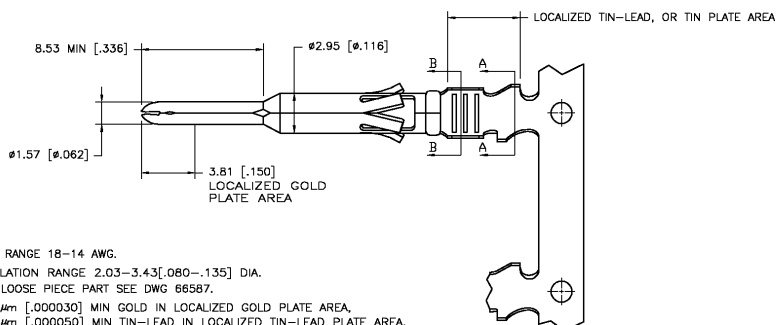
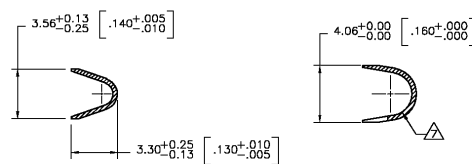
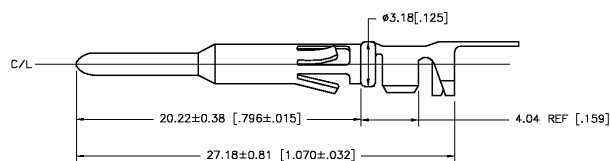
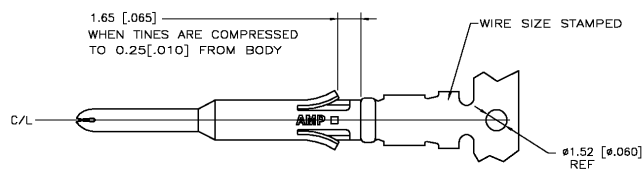
3

2

1

THIS DRAWING IS UNPUBLISHED. RELEASED FOR PUBLICATION
 © COPYRIGHT - BY TYCO ELECTRONICS CORPORATION. ALL RIGHTS RESERVED.

LOC	DIST	REVISIONS				
P	LTR	DESCRIPTION	DATE	DWN	APVD	
BD	39	H	EC 0G3B-0317-03	24APR03	VF	GS



1. WIRE RANGE 18-14 AWG.
 2. INSULATION RANGE 2.03-3.43[.080-.135] DIA.
 3. FOR LOOSE PIECE PART SEE DWG 66587.
- ▲ 0.76μm [0.00030] MIN GOLD IN LOCALIZED GOLD PLATE AREA.
 ▲ 1.27μm [0.00050] MIN TIN-LEAD IN LOCALIZED TIN-LEAD PLATE AREA, BOTH OVER 1.27μm [0.00050] MIN NICKEL.
- ▲ TIN PLATED.
- ▲ GOLD PLATING PER MIL-G-45204, TIN PER MIL-T-10727 AND NICKEL PER QQ-N-290.
- ▲ 2.03-2.67[.080-.105] DIA INSULATION CRIMP WILL BE 3.05[.120] "O" CRIMP, 2.67-3.43[.105-.135] DIA INSULATION CRIMP WILL BE 3.56[.140] "O" CRIMP.
- ▲ 0.76μm [0.00030] MIN GOLD IN LOCALIZED GOLD PLATE AREA.
 ▲ 1.27μm [0.00050] MIN TIN IN LOCALIZED TIN PLATE AREA, BOTH OVER 1.27μm [0.00050] MIN NICKEL.

REVERSE REELED FOR MINI-APPLICATOR	▲	66577-7
REVERSE REELED FOR MINI-APPLICATOR	▲	66577-4
OBSELETE	-	66577-3
REVERSE REELED FOR MINI-APPLICATOR	▲	66577-2
-	▲	66577-1
DESCRIPTION	FINISH	

THIS DRAWING IS A CONTROLLED DOCUMENT.

DIMENSIONS: MM [INCHES]	TOLERANCES UNLESS OTHERWISE SPECIFIED: 0 PLC ± - 1 PLC ± - 2 PLC ± 0.13 [005] 3 PLC ± - 4 PLC ± - ANGLES ± -	DWN V. FURLER 12MAY03	CHK C. STEINHAUER 12MAY03	APVD G. STEINHAUER 12MAY03	NAME G. STEINHAUER	12MAY03	Tyco Electronics Corporation Harrisburg, PA 17105		
MATERIAL BRASS MIL-C-50	FINISH SEE TABLE ▲	PRODUCT SPEC -	APPLICATION SPEC -	WEIGHT -	SIZE A3	CAGE CODE 00779	DRAWING NO C-66577	RESTRICTED TO -	
CUSTOMER DRAWING						SCALE 8.5:1	SHEET 1	OF 1	REV H

AMP 1470-19 REV 31MAR2000

H:\