

4

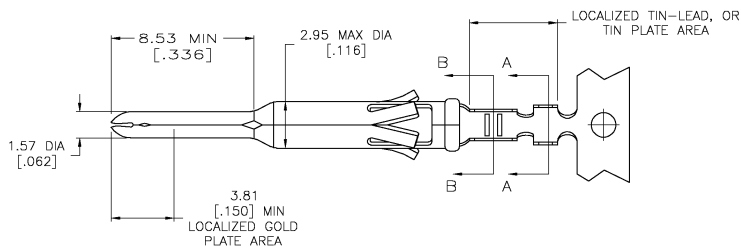
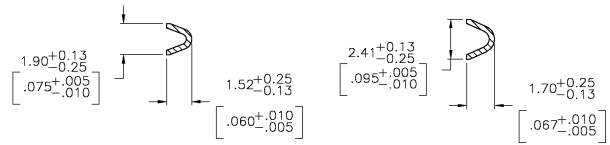
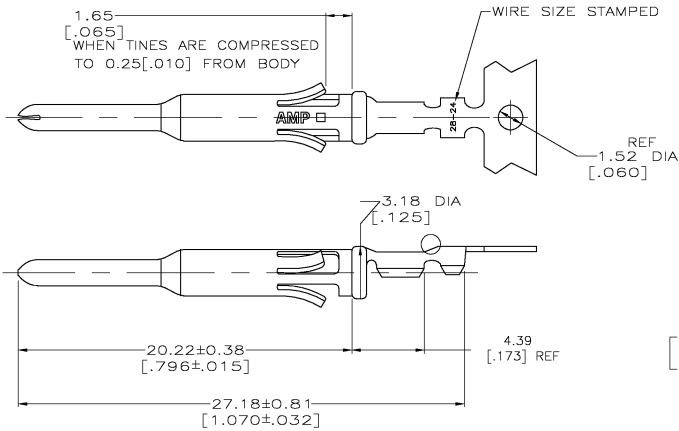
3

2

1

THIS DRAWING IS UNPUBLISHED. RELEASED FOR PUBLICATION.
 © COPYRIGHT BY TYCO ELECTRONICS CORPORATION. ALL RIGHTS RESERVED.

LOC	DIST	REVISIONS					
FT	O	P	LTR	DESCRIPTION	DATE	OWN	APPD
		H		REVISED PER 0638-1175-04	12/21/04	SS	GS



1. WIRE RANGE 28-24 AWG.
 2. INSULATION RANGE 0.89-1.40[.035-.055] DIA.
 3. FOR LOOSE PIECE PART SEE DWG 66595.
- △ 0.76μm [.000030] MIN GOLD IN LOCALIZED GOLD PLATE AREA,
1.27μm [.000050] MIN TIN-LEAD IN LOCALIZED TIN-LEAD PLATE AREA,
BOTH OVER 1.27μm [.000050] MIN NICKEL.
TIN PLATED.
- △ GOLD PLATING PER MIL-G-45204, TIN PER MIL-T-10727 AND NICKEL PER QQ-N-290.
- △ 0.76μm [.000030] MIN GOLD IN LOCALIZED GOLD PLATE AREA,
1.27μm [.000050] MIN TIN IN LOCALIZED TIN PLATE AREA,
BOTH OVER 1.27μm [.000050] MIN NICKEL.

REVERSE REELED FOR MINI-APPLICATOR	△	1-66585-0
REVERSE REELED FOR MINI-APPLICATOR	△	66585-4
-	△	66585-3
REVERSE REELED FOR MINI-APPLICATOR	△	66585-2
-	△	66585-1
DESCRIPTION		PART NO.

THIS DRAWING IS A CONTROLLED DOCUMENT.		DATE	BY	APPROVED	DATE	BY
		06/15/04	D. HARDY		06/22/04	B. STONE
DIMENSIONS:		TOLERANCES UNLESS OTHERWISE SPECIFIED:		FINISH		
mm (INCHES)		FRACTIONS DECIMALS		PART NO.		
		.0005 .001 .002 .005 .010 .015 .030 .050 .100 .150 .300 .500 .750 1.000		1-66585-0		
MATERIAL:		FINISH:		CUSTOMER DRAWING		
BRASS PER MIL-C-50		SEE TABLE		SCALE: 6:1 SHEET 1 OF 1 REV H		

AMP 1431-9 REV 31MAR2000

66585

A