

4

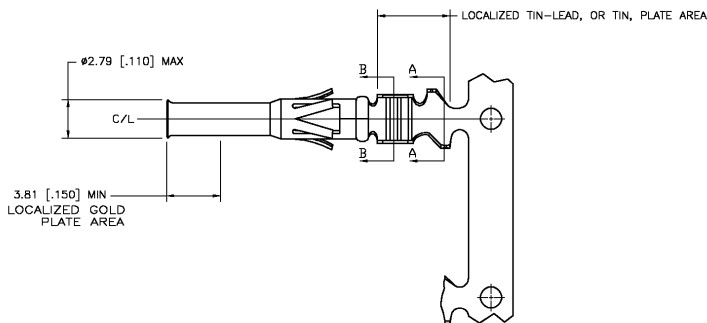
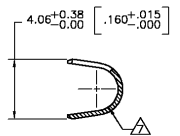
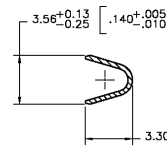
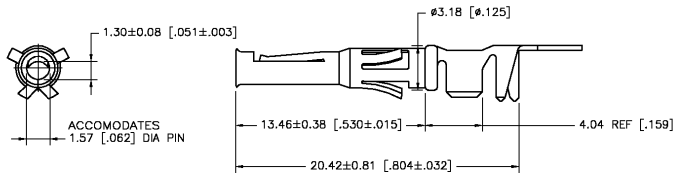
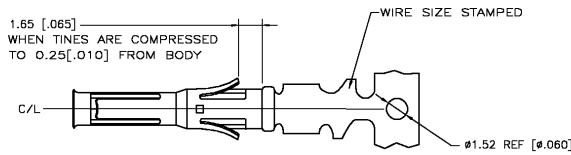
3

2

1

THIS DRAWING IS UNPUBLISHED. RELEASED FOR PUBLICATION  
 © COPYRIGHT - BY TYCO ELECTRONICS CORPORATION. ALL RIGHTS RESERVED.

LOC	DIST	REVISIONS				
P	LTR	DESCRIPTION	DATE	DWN	APVD	
BD	39	F	REV PER EC OG3B-0317-03	24APR03	VF	GS



1. WIRE RANGE 18-14 AWG.
  2. INSULATION RANGE 2.03-3.43[.080-.135] DIA.
  3. FOR LOOSE PIECE PART SEE DWG 66588.
- ▲ 0.76µm [.000030] MIN GOLD IN LOCALIZED GOLD PLATE AREA,  
 1.27µm [.000050] MIN TIN-LEAD IN LOCALIZED TIN-LEAD PLATE AREA,  
 BOTH OVER 1.27µm [.000050] MIN NICKEL.
- ▲ TIN PLATED.
- ▲ GOLD PLATING PER MIL-C-45204, TIN PER MIL-T-10727  
 AND NICKEL PER QQ-N-290.
- ▲ 2.03-2.67[.080-.105] DIA INSULATION CRIMP WILL BE 3.05[.120] "O" CRIMP,  
 2.67-3.43[.105-.135] DIA INSULATION CRIMP WILL BE 3.56[.140] "O" CRIMP.
- ▲ 0.76µm [.000030] MIN GOLD IN LOCALIZED GOLD PLATE AREA,  
 1.27µm [.000050] MIN TIN IN LOCALIZED TIN PLATE AREA,  
 BOTH OVER 1.27µm [.000050] MIN NICKEL.

REVERSE REELED FOR MINI-APPLICATOR	▲	66578-7
REVERSE REELED FOR MINI-APPLICATOR	▲	66578-4
REVERSE REELED FOR MINI-APPLICATOR	▲	66578-3
REVERSE REELED FOR MINI-APPLICATOR	▲	66578-2
REVERSE REELED FOR MINI-APPLICATOR	▲	66578-1
DESCRIPTION	FINISH	

THIS DRAWING IS A CONTROLLED DOCUMENT.		DWN	13MAY2003	Tyco Electronics Corporation	
DIMENSIONS: MM [INCHES]		CHK	V. FURLER	Harrisburg, PA 17105	
TOLERANCES UNLESS OTHERWISE SPECIFIED:		APVD	G. STEINHAUER	16MAY03	
0 PLC	± -	PRODUCT SPEC	G. STEINHAUER	16MAY03	
1 PLC	± -	APPLICATION SPEC		NAME	
2 PLC	± 0.13 [.005]	WEIGHT		SIZE CAGE CODE DRAWING NO	
3 PLC	± -	CUSTOMER DRAWING		RESTRICTED TO	
4 PLC	± -			SCALE 8.5:1 SHEET 1 OF 1 REV F	
ANGLES	± -				
MATERIAL	FINISH				
BRASS MIL-C-50	SEE TABLE ▲				

AMP 1470-19 REV 31MAR2000

H:\