

4

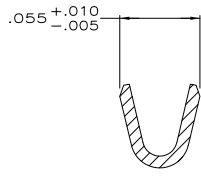
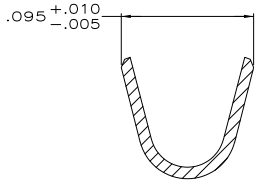
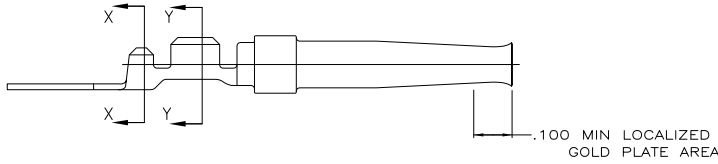
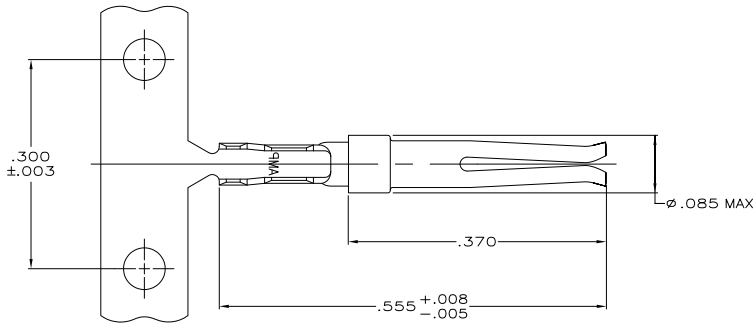
3

2

1

THIS DRAWING IS UNPUBLISHED. RELEASED FOR PUBLICATION. BY TYCO ELECTRONICS CORPORATION. ALL RIGHTS RESERVED.

LOC	QTY	REV	DESCRIPTION	DATE	BY	APP'D
GP	00	C	REVISED PER ECO-08-019103	19AUG2008	ZMR	CWR



- ⚠ PLATED WITH .000030 GOLD ON INSIDE OF LOCALIZED GOLD PLATE AREA, .000100 TIN ON CRIMP BARRELS, ALL OVER .000050 NICKEL UNDERPLATE.
- OR-
- GOLD FLASH OVER PALLADIUM-NICKEL .000030 TOTAL ON INSIDE OF LOCALIZED GOLD PLATE AREA, .000100 TIN ON CRIMP BARRELS, ALL OVER .000050 NICKEL UNDERPLATE.
- ⚠ GOLD FLASH ON INSIDE OF LOCALIZED GOLD PLATE AREA, .000100 TIN PLATED CRIMP BARRELS, ALL OVER .000030 NICKEL UNDERPLATE.
- ⚠ CRIMP STRIP USING AMP MINI APPLICATOR.
- ⚠ CONTACT ACCEPTS WIRE RANGE OF 24-28 AWG AND INSULATION RANGE OF .050-.060.

⚠	1-5066683-0
⚠	5066683-7
FINISH	PART NUMBER

THIS DRAWING IS A CONTROLLED DOCUMENT.		DR: G. ATTADA - 11-10-04	Tyco Electronics Corporation Harrisburg, PA 17105-3608	
DIMENSIONS: INCHES		CHK: J. GERACE - 11-10-04	Tyco Electronics	
TOLERANCES UNLESS OTHERWISE SPECIFIED:		APP'D: M. WALMSLEY - 11-10-04	SOCKET CONTACT, SIZE 20 DF, AMPLIMITE	
0 PLC	±	PRODUCT SPEC:	108-40005	
1 PLC	±	APPLICATION SPEC:	114-10000	
2 PLC	±	WEIGHT:	-	
3 PLC	± .005	SIZE:	A2 00779 C=5066683	
4 PLC	±	RESTRICTED TO:	-	
ANGLES	±	CUSTOMER DRAWING	SCALE 10:1 SHEET 1 of 1 REV C	
MATERIAL: PHOSPHOR BRONZE	FINISH: SEE TABLE			

AMP 1471-9 REV 31MAR2000

5066683

A