

4

3

2

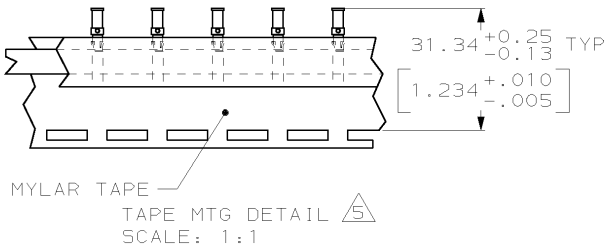
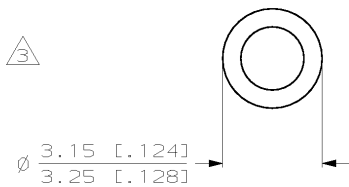
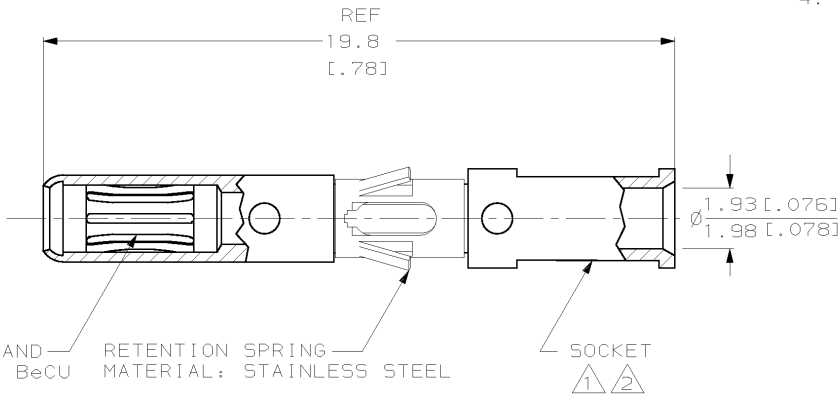
1

THIS DRAWING IS UNPUBLISHED. RELEASED FOR PUBLICATION .19
 © COPYRIGHT 19 BY AMP INCORPORATED. ALL RIGHTS RESERVED.

LOC	DIST	REVISIONS			
P	LTR	DESCRIPTION	DATE	DWN	APVD
CH	11	C	ADDED -2	21/NOV/95	RNP PG

5 WHEN ORDERING CONTACT ASSEMBLIES ON TAPE, ORDER BY PART NUMBER PLUS THE PACKAGING CODE AS FOLLOWS:
 A. 5000 PARTS PER REEL ADD PACKAGING CODE: 5MREEL
 I.E. ORDER # 193846-2, 5MREEL

- 1 MATERIAL: COPPER ALLOY
- 2 FINISH: SOCKET; 200 μINCHES MIN. SILVER OVER 50 μINCHES MIN. NICKEL BAND; 10 μINCHES MIN. GOLD OVER 40 μINCHES MIN. NICKEL
- 3 WIRE BARREL WILL ACCEPT #14AWG WIRE
- 4. MATES WITH 193844-1



TAPE MTG (SEE DETAIL)	193846-2
STANDARD	193846-1
PACKAGING TYPE	PART NO

THIS DRAWING IS A CONTROLLED DOCUMENT FOR AMP INCORPORATED. IT IS SUBJECT TO CHANGE AND THE CONTROLLING ENGINEERING ORGANIZATION SHOULD BE CONTACTED FOR THE LATEST REVISION.		OWN R N POLK 25/JAN/95	AMP Incorporated Harrisburg, PA 17105-3608	
DIMENSIONS:	TOLERANCES UNLESS OTHERWISE SPECIFIED:	CHK -	NAME	
mm	0 PLC ±-	APVD -	PRODUCT SPEC	
	1 PLC ±-	-	APPLICATION SPEC	
	2 PLC ±-	-	WEIGHT	
	3 PLC ±-	-	CUSTOMER DRAWING	
	4 PLC ±-	-	SIZE A3	CAGE CODE 00779
MATERIAL 1	FINISH 2	-	DRAWING NO C-193846	SCALE 8:1
			SHEET 1	OF 1
			REV C	

AMP1470-19 REV 10/93

27-FEB-96 10:24:50 amp21803/home/amp21803/concepts