

4

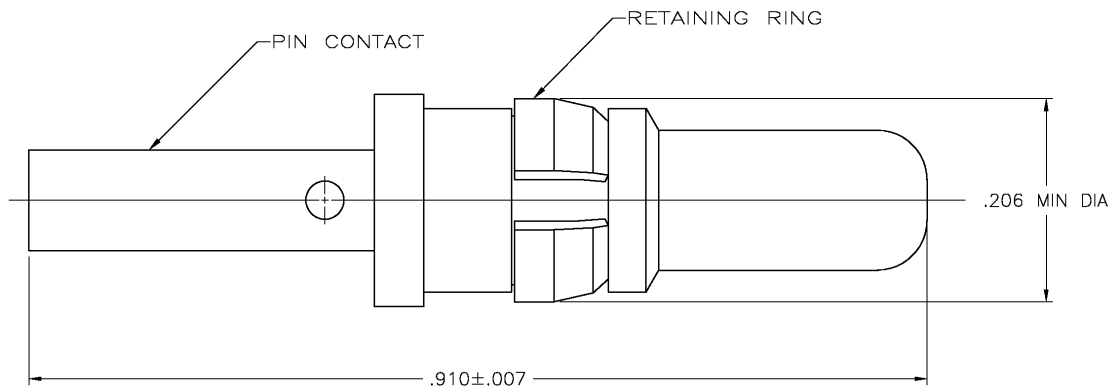
3

2

1

THIS DRAWING IS UNPUBLISHED. RELEASED FOR PUBLICATION  
 © COPYRIGHT - BY TYCO ELECTRONICS CORPORATION. ALL RIGHTS RESERVED.

LOC	DIST	REVISIONS			
P	LTR	DESCRIPTION	DATE	DWN	APVD
	D	REVISED PER OG3B-0008-04	1/9/04	SS	GS



213567-1  
 PART NUMBER

1. WIRE BARREL WILL ACCEPT 16-18 AWG WIRE.
2. PIN CONTACT: BRASS.
3. RING RETAINING: PHOSPHOR BRONZE.
4. 0.76 μm [.000030] MIN GOLD OVER
- 1.27 μm [.000050] MIN NICKEL.
4. 1.27 μm [.000050] MIN NICKEL.

THIS DRAWING IS A CONTROLLED DOCUMENT.		DWN C DORWART 09/06/91	Tyco Electronics Corporation Harrisburg, PA 17105	
DIMENSIONS: INCHES		CHK R STONE 9/10/91	APVD A TRAVIS 9/11/91	
TOLERANCES UNLESS OTHERWISE SPECIFIED:		PRODUCT SPEC 9/11/91	NAME W PARKER	
0 PLC ± -	1 PLC ± -	APPLICATION SPEC	SIZE A3	
2 PLC ± -	3 PLC ± .005	WEIGHT	CAGE CODE 00779	DRAWING NO 213567
4 PLC ± -	ANGLES ± -	CUSTOMER DRAWING	RESTRICTED TO	
MATERIAL	FINISH	SCALE 10:1 SHEET 1 OF 1 REV D		
	PIN CONTACT: 2			
	RING RETAINING: 4			

AMP 1470-19 REV 31MAR2000