

4

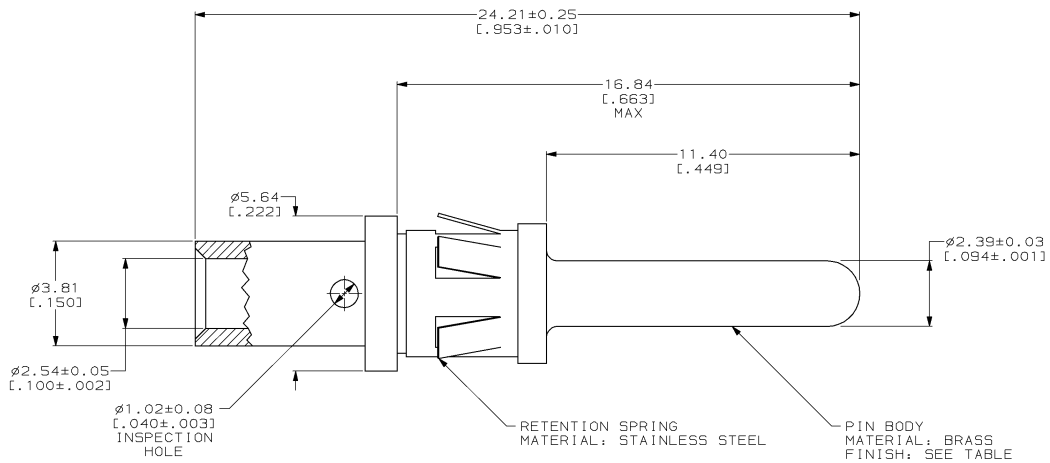
3

2

1

THIS DRAWING IS UNPUBLISHED. RELEASED FOR PUBLICATION
 BY AMP INCORPORATED. ALL RIGHTS RESERVED.

LOC	DIST	REVISIONS			
F	LWR	DESCRIPTION	DATE	OWN	APPD
FT	8	H	REDRAWN W/O CHANGE PER EC 0320-108-96	05 JAN 98	-



- 1 0.76 μm [.000030] MIN GOLD OVER 1.27 μm [.000050] MIN NICKEL.
- 2 3.81 μm [.000150] MIN TIN.
- 3. ASSEMBLY MATES WITH SOCKET ASSEMBLY 202417.

202422-4	
202422-1	
PIN BODY FINISH	PART NUMBER

THIS DRAWING IS A CONTROLLED DOCUMENT.		DN S. CARBO 05 JAN 98	AMP Incorporated
DIMENSIONS: mm (INCHES)		CK R. STONE 09 JAN 98	Harrisburg, PA 17105-3608
DESIGNER: S. STEINHAUER		APPD R. STONE 30 JAN 98	NAME
MATERIAL: SEE CALLOUTS		FINISH: SEE CALLOUTS	PRODUCT SPEC: -
FINISH: SEE CALLOUTS		APPLICATION SPEC: -	SIZE CASE CODE DRAWING NO: A200779
CUSTOMER DRAWING		WEIGHT: -	RESTRICTED TO: -
		SCALE: 10:1	SHEET 1 OF 1 REV H

202422

A