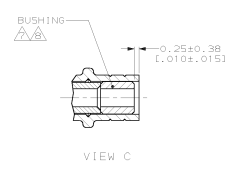
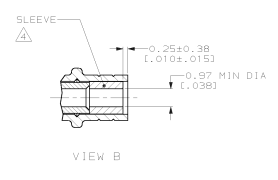
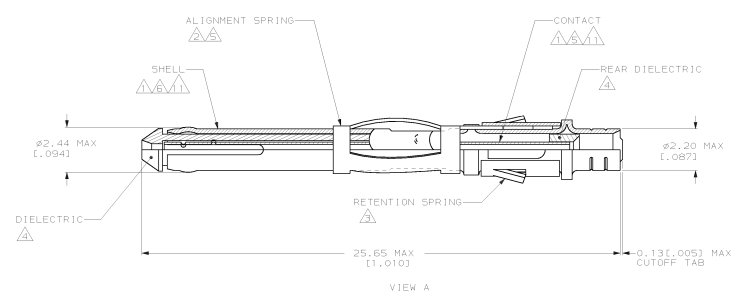


DRAWING MADE IN THIRD ANGLE PROJECTION
 THIRD ANGLE PROJECTION TO UNPUBLISHED
 BY AMP INCORPORATED. ALL INTERNATIONAL RIGHTS RESERVED.

REV	ISS	DATE	DESCRIPTION	DATE	APP
AJ	16		REV PER DU20-0235-99	10FEB00	MO



- △ GOLD PL PER MIL-G-45204, .000030 ON MATING SURFACES, FLASH ON REMAINDER
 - △ NICKEL PL PER QQ-N-290
 - △ STAINLESS STEEL PER QQ-S-766
 - △ POLYPROPYLENE OR POLYMETHYLPENTENE GENERAL PURPOSE
 - △ BERYLLIUM COPPER PER QQ-C-533
 - △ BRASS PER MIL-C-50
 - △ BRASS PER ASTM-B-135
 - △ TIN PL PER MIL-T-10727
9. WEIGHT: .016 OZ
 10. FOR CABLE SELECTION, FERRULE AND HANDTOOL PART NUMBERS, SEE I.5. 2024-2

VIEW	FINISH	MATERIAL	PART NUMBER
OBSOLETE	A	△△△△△	226537-7
OBSOLETE	C	△△△△△	226537-6
OBSOLETE	B	△△△△△	226537-5
	A	△△△△△	226537-4
	C	△△△△△	226537-3
	B	△△△△△	226537-2
	A	△△△△△	226537-1

DO NOT SCALE PRINT. UNLESS SPECIFIED DIMENSIONS IN mm (INCHES) PREFERRED ON + P R/C SEE # - MINUS # -		DR 7-23-91 S.D.F.H.L.	AMP Incorporated Harrisburg, PA 17105-9608	
MATERIAL SEE TABLE		APPD B-1-91 D. SORE	NAME	
FINISH SEE TABLE		APPD B-3-91 B. WENNER	PIN ASSY, SERIES SUBMINIATURE	
APPLICATION SPEC		SCALE 10:1	SIZE D	DRAWING NO 226537
RETURN		SHEET		1 OF 1

17-FEB-00 13:45:44 wpsr2008572

CUSTOMER DRAWING