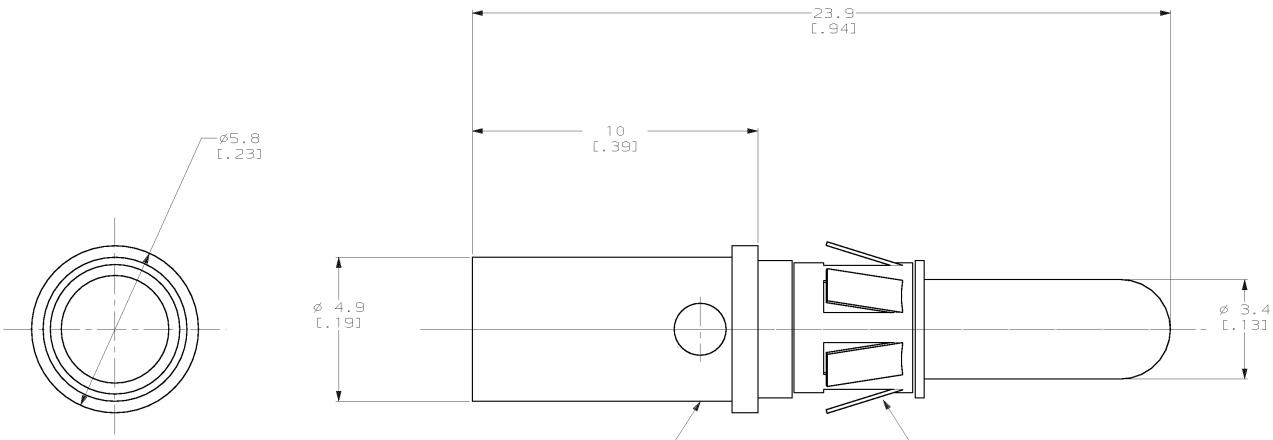


THIS DRAWING IS UNPUBLISHED. RELEASED FOR PUBLICATION .19 .
 © COPYRIGHT 19 BY AMP INCORPORATED. ALL INTERNATIONAL RIGHTS RESERVED.

LOC		DIST		ZONE		LTR		REVISIONS		DATE	APPR
CH	11	P	F					B	ECN 95030204		P. G.

1. RETROFIT CONTACT FOR METRIMATE AND AMPLIMITE POWER CONTACT.
2. WIRE BARREL WILL ACCEPT #10 AWG WIRE.
3. MATES WITH PN 193643-1.



PIN BODY
 MATERIAL: COPPER ALLOY
 FINISH: 0.76µM [.000030] MIN GOLD OVER
 1.27µM [.000050] MIN NICKEL

RETENTION CLIP
 MATERIAL: STAINLESS STEEL

193642-1

PART NO

DO NOT SCALE PRINT. UNLESS SPECIFIED DIMENSIONS IN mm [INCHES] TOLERANCES ON : 2 PLC DEC ±0.5 [.02] 3 PLC DEC ±0.25 [.010] ANGLES ± °	DR D. WILSON 08-12-92	AMP Incorporated Harrisburg, PA 17105-3608	
MATERIAL	CHK R. JAYNE 08-17-92		
FINISH	APPD A. GRIFFIN 08-17-92	PIN ASSY, POWER, #10 AWG	
	APPD P. GLASER 08-17-92	SIZE	CAGE CODE
	PRODUCT SPEC	10	00779
	APPLICATION SPEC	DRAWING NO	193642
		SCALE	10:1
	WEIGHT	SHEET	1 OF 1

THIS DRAWING IS A CONTROLLED DOCUMENT FOR AMP INCORPORATED. IT IS SUBJECT TO CHANGE AND THE CONTROLLING ENGINEERING ORGANIZATION SHOULD BE CONTACTED FOR THE LATEST REVISION.

CUSTOMER DRAWING