

4

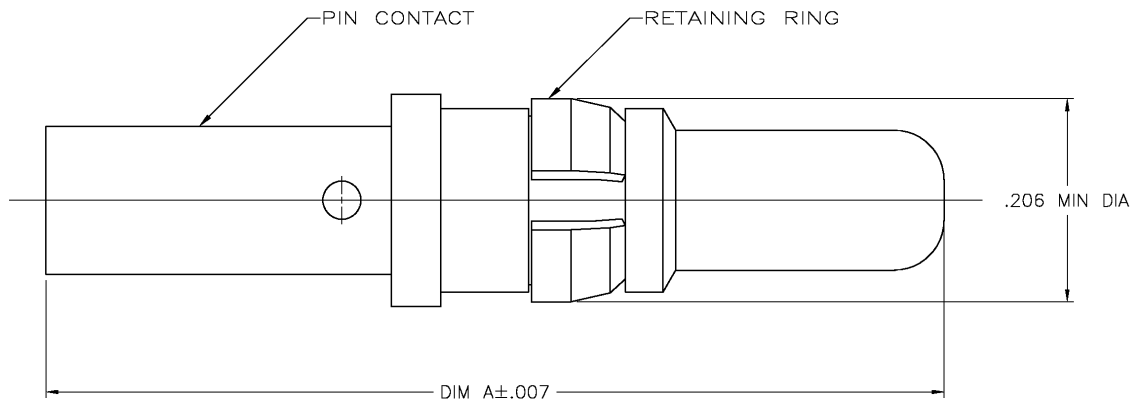
3

2

1

THIS DRAWING IS UNPUBLISHED. RELEASED FOR PUBLICATION
 © COPYRIGHT - BY TYCO ELECTRONICS CORPORATION. ALL RIGHTS RESERVED.

LOC	DIST	REVISIONS			
P	LTR	DESCRIPTION	DATE	DWN	APVD
E		REVISED PER OG3B-0280-05	3/16/05	SS	GS



.950	213662-2
.910	213662-1
DIM A	PART NUMBER

1. WIRE BARREL WILL ACCEPT 12-14 AWG WIRE.

- ② PIN CONTACT: BRASS.
RING RETAINING: PHOSPHOR BRONZE.
- ③ 0.76 μm [.000030] MIN GOLD OVER
1.27 μm [.000050] MIN NICKEL.
- ④ 1.27 μm [.000050] MIN NICKEL.

THIS DRAWING IS A CONTROLLED DOCUMENT.		DWN C DORWART 03/19/91	Tyco Electronics Corporation Harrisburg, Pa 17105-3608	
DIMENSIONS: INCHES		CHK J McCLINTON 3-25-91	NAME A TRAVIS	
TOLERANCES UNLESS OTHERWISE SPECIFIED:		APVD -	PRODUCT SPEC -	
0 PLC ± -		APPLICATION SPEC -	WEIGHT -	
1 PLC ± -		SIZE A3		
2 PLC ± -		CAGE CODE 00779		
3 PLC ± .005		DRAWING NO C-213662		
4 PLC ± -		RESTRICTED TO -		
ANGLES ± -		SCALE 10:1		
MATERIAL -	FINISH PIN CONTACT: ③ RING RETAINING: ④	SHEET 1 OF 1		
CUSTOMER DRAWING		REV E		

AMP 1470-19 REV 31MAR2000