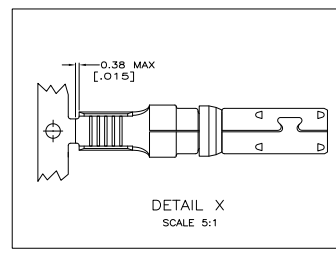
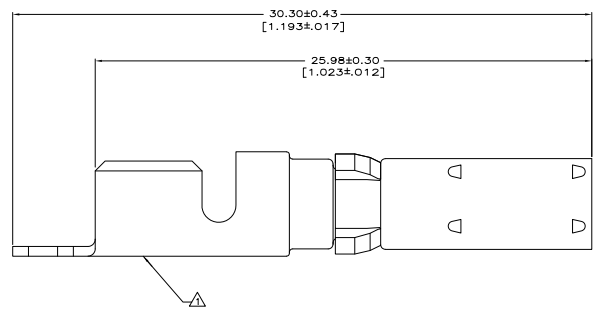
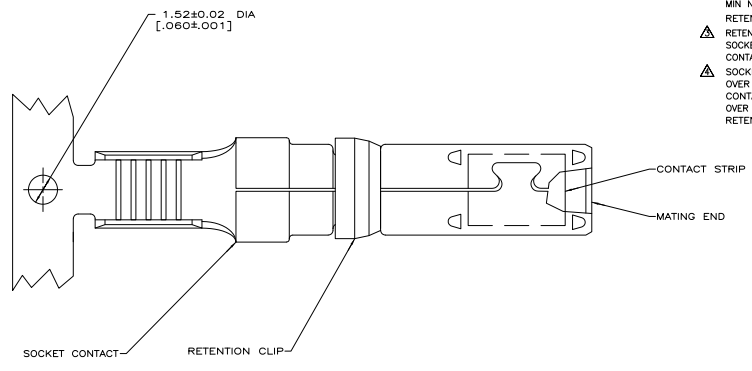


THIS DRAWING IS UNPUBLISHED
 RELEASED FOR PURCHASER
 ALL RIGHTS RESERVED

REVISIONS			
REV	DATE	DESCRIPTION	BY
1	11/04/11	REVISED PER ECO-11-004917	RK/HMR

- ▲ WIRE SIZE AND AMP LOGO APPEAR ON OUTSIDE OF WIRE BARREL.
- ▲ SOCKET & STRIP CONTACT: 0.76µm [.000030] MIN GOLD PER MIL-G-45204 ON CONTACT MATING END, GOLD FLASH ON REMAINDER, ALL OVER 1.27µm [.000050] MIN NICKEL PER QQ-N-390.
- ▲ RETENTION CLIP: 2.54µm [.000100] MIN NICKEL PER QQ-N-290.
 RETENTION CLIP: PHOSPHOR BRONZE PER QQ-B-750.
- ▲ SOCKET CONTACT: COPPER PER QQ-C-576.
 CONTACT STRIP: BERYLLIUM COPPER PER QQ-C-533.
- ▲ SOCKET CONTACT: 1.27µm [.000050] MIN SILVER PER QQ-S-365, ALL OVER 1.27µm [.000050] MIN NICKEL PER QQ-N-290.
 CONTACT STRIP: 5.08µm [.000200] MIN SILVER PER QQ-S-365, ALL OVER 1.02µm [.000040] MIN NICKEL PER QQ-N-290.
 RETENTION CLIP: 2.54µm [.000100] MIN NICKEL PER QQ-N-290.



▲	DETAIL X	213847-4
▲	DETAIL X	213847-3
▲	-	213847-2
▲	-	213847-1
	FINISH	PART NUMBER
	LOOSE PIECE	

THIS DRAWING IS A CONTROLLED DOCUMENT. SEE TABLE

UNLESS OTHERWISE SPECIFIED:	UNLESS OTHERWISE SPECIFIED:	UNLESS OTHERWISE SPECIFIED:	UNLESS OTHERWISE SPECIFIED:
DIMENSIONS: MILLIMETERS	FINISH: SEE TABLE	PLATING: SEE TABLE	STOCK: SEE TABLE
PLATING: SEE TABLE	FINISH: SEE TABLE	PLATING: SEE TABLE	STOCK: SEE TABLE
PLATING: SEE TABLE	FINISH: SEE TABLE	PLATING: SEE TABLE	STOCK: SEE TABLE
PLATING: SEE TABLE	FINISH: SEE TABLE	PLATING: SEE TABLE	STOCK: SEE TABLE

TE Connectivity
 SOCKET CONTACT ASSEMBLY,
 14-12 AWG, 125
 POWERBAND

REV: 10/779 © 213847
 DATE: 10/11 FILE: 1 # 1