

4

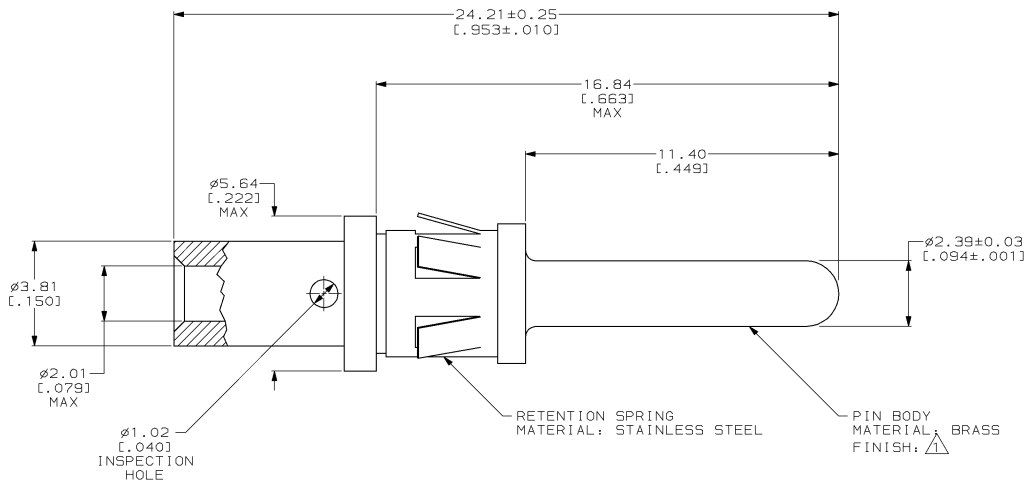
3

2

1

THIS DRAWING IS UNPUBLISHED. RELEASED FOR PUBLICATION  
 BY AMP INCORPORATED. ALL RIGHTS RESERVED.

LOC	DIST	REVISIONS			
F	LWR	DESCRIPTION	DATE	OWN	APPD
D		REDRAWN W/O CHANGE PER EC 0320-108-96	31 DEC 97	-	-



- 1. 0.76µm [0.000030] MIN GOLD OVER 1.27µm [0.000050] MIN NICKEL.
- 2. ASSEMBLY MATES WITH SOCKET ASSEMBLY 202418.

202421-1  
 PART NUMBER

THIS DRAWING IS A CONTROLLED DOCUMENT.		DN S. CARBO	31 DEC 97	<b>AMP</b> AMP Incorporated Harrisburg, PA 17105-3608
DIMENSIONS: mm (INCHES)		CHK R. STONE	09 JAN 98	
TOLERANCES UNLESS SPECIFIED:		APPRO R. STEINHAUER	30 JAN 98	NAME R. STEINHAUER
FRACTIONAL DECIMALS		PRODUCT SPEC		CONTACT ASSEMBLY, PIN, #18-#16 WIRE SIZE, TYPE I
FRACTIONAL DECIMALS		APPLICATION SPEC		SIZE CASE CODE DRAWING NO
MATERIAL: FINISH:		WEIGHT		A200779
SEE CALLOUTS		CUSTOMER DRAWING		202421
		SCALE	10:1	SHEET 1 OF 1

202421

A