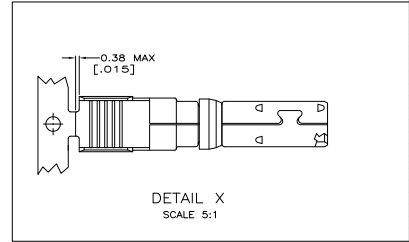
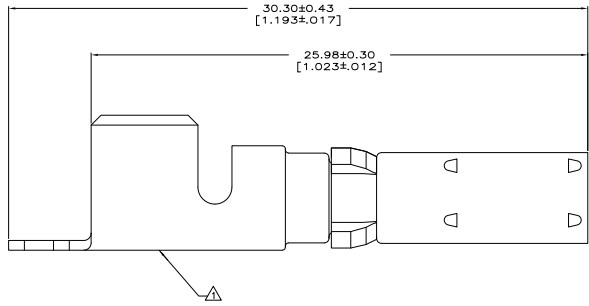
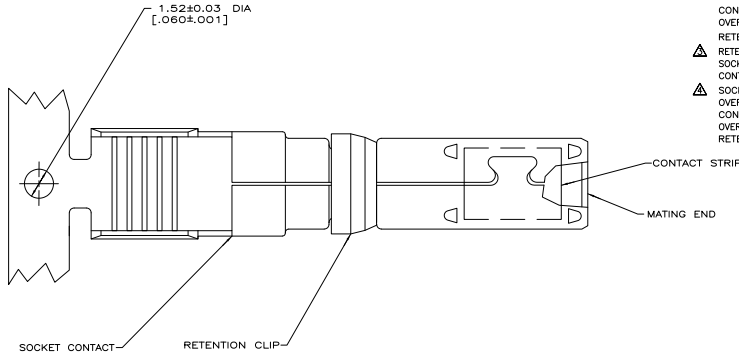


THIS DRAWING IS UNPUBLISHED
 RELEASED FOR PURCHASER
 ALL RIGHTS RESERVED

REVISIONS			
REV	DATE	BY	APP
1	11/04/11	RC	HMR
2			
3			
4			
5			
6			
7			
8			

- ▲ WIRE SIZE AND AMP LOGO APPEAR ON OUTSIDE OF WIRE BARREL.
- ▲ SOCKET CONTACT: 0.38µm [.000015] MIN GOLD PER MIL-G-45204 ON CONTACT MATING END, GOLD FLASH ON REMAINDER, ALL OVER 1.27µm [.000050] MIN NICKEL PER QQ-N-390.
- ▲ CONTACT STRIP: 0.76µm [.000030] MIN GOLD PER MIL-G-45204 OVER 1.02µm [.000040] MIN NICKEL PER QQ-N-390.
- ▲ RETENTION CLIP: 2.54µm [.000100] MIN NICKEL PER QQ-N-290.
- ▲ RETENTION CLIP: PHOSPHOR BRONZE PER QQ-B-750.
- ▲ SOCKET CONTACT: COPPER PER QQ-C-576.
- ▲ CONTACT STRIP: BERYLLIUM COPPER PER QQ-C-533.
- ▲ SOCKET CONTACT: 1.27µm [.000050] MIN SILVER PER QQ-S-365, ALL OVER 1.27µm [.000050] MIN NICKEL PER QQ-N-290.
- ▲ CONTACT STRIP: 5.08µm [.000200] MIN SILVER PER QQ-S-365, ALL OVER 1.02 µm [.000040] MIN NICKEL PER QQ-N-290.
- ▲ RETENTION CLIP: 2.54µm [.000100] MIN NICKEL PER QQ-N-290.



▲	DETAIL X	213843-4
▲	DETAIL X	213843-3
▲	---	213843-2
▲	---	213843-1
FINISH	LOOSE PIECE	PART NUMBER

THIS DRAWING IS A CONTROLLED DOCUMENT

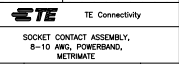
DESIGNED BY	DATE	REV	DESCRIPTION
1	11/04/11	1	SOCKET CONTACT ASSEMBLY, 6-10 AWG, POWERBAND, METRIMATE

REV: 10/11 FILE: 10:1 SHEET: 1 OF 1

DATE: 11/04/11 BY: RC

SCALE: 10:1

CUSTOMER DRAWING



SOCKET CONTACT ASSEMBLY,
 6-10 AWG, POWERBAND,
 METRIMATE