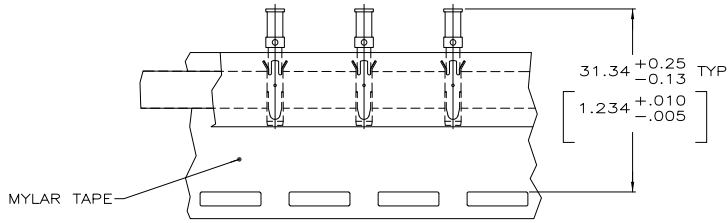
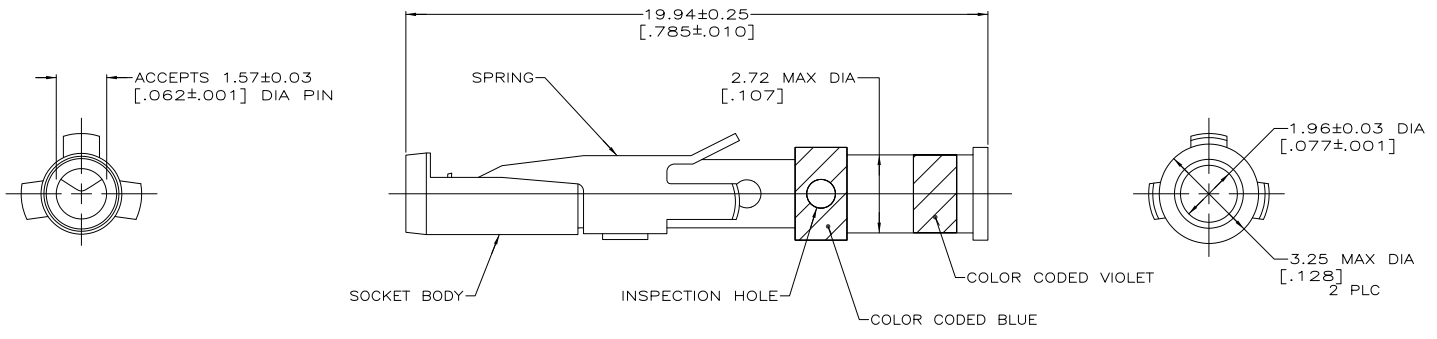


THIS DRAWING IS UNPUBLISHED. RELEASED FOR PUBLICATION .19
 © COPYRIGHT 19 BY AMP INCORPORATED. ALL INTERNATIONAL RIGHTS RESERVED.

REVISIONS									
MOD	LOC	DIST	P	F	ZONE	LTR	DESCRIPTION	DATE	APPD
4	BD	39				U	ADDED -8 NPR 4680 AND REDRAWN ON CAD, OBS -4 EC 0020-344-93	04/06/93	-
						U1	REVISED PER ECO-09-020935	08SEP09	KK AEG



TAPE MTG DETAIL
SCALE 2:1

- ⚠ 0.76µm [.000030] MIN GOLD OVER 1.27µm [.000050] MIN NICKEL.
- ⚠ 1.27µm [.000050] MIN GOLD OVER 1.27µm [.000050] MIN NICKEL.
- ⚠ WHEN ORDERING CONTACT ASSEMBLY ON TAPE, ORDER BY THE TAPE NUMBER PLUS THE PACKAGING CODE AS FOLLOWS:
 1. FOR USE WITH AMP TAPETRONIC, PNEUMATIC TOOL-
 - A. 1000 PARTS TO A BOX ADD PACKAGING CODE: 1MBOX
 2. FOR USE WITH 4/8 INDENT STRIPPER CRIMPER-
 - A. 1000 PARTS TO A REEL ADD PACKAGING CODE: 1MREEL
 - B. 5000 PARTS TO A REEL ADD PACKAGING CODE: 5MREEL
- ⚠ 4 OBSOLETE PARTS: OBSOLETE CIS STREAMLINING PER D.RENAUD/D.SINISI

⚠ OBSOLETE	SMALL PACK	⚠	-201568-8
⚠ OBSOLETE	STANDARD	⚠	201568-4
	TAPE MTG (SEE DETAIL) ⚠	⚠	201568-3
	STANDARD	⚠	201568-1
DO NOT SCALE PRINT. UNLESS SPECIFIED DIMENSIONS IN mm (INCHES) TOLERANCES ON :		PACKAGING TYPE	
2' PLC DEC ± -		SOCKET BODY FINISH	
3' PLC DEC ± -		PART NO	
ANGLES ± -		AMP AMP Incorporated Harrisburg, PA 17105-3608	
MATERIAL		NAME	
SOCKET BODY: COPPER ALLOY		CONTACT ASSEMBLY, SOCKET, #16, 14 AWG, TYPE II	
SPRING: STAINLESS STEEL		PRODUCT SPEC	
FINISH		APPLICATION SPEC	
SOCKET BODY: SEE TABLE		SIZE	CAGE CODE
		SCALE	DRAWING NO
		10:1	00779 C-201568
		SHEET 1 OF 1	

THIS DRAWING IS A CONTROLLED DOCUMENT FOR AMP INCORPORATED. IT IS SUBJECT TO CHANGE AND THE CONTROLLING ENGINEERING ORGANIZATION SHOULD BE CONTACTED FOR THE LATEST REVISION.