

4

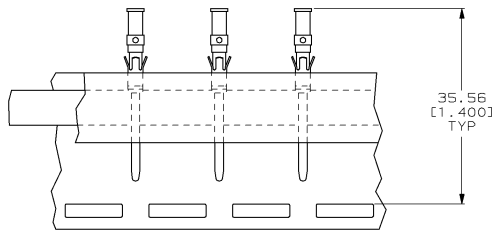
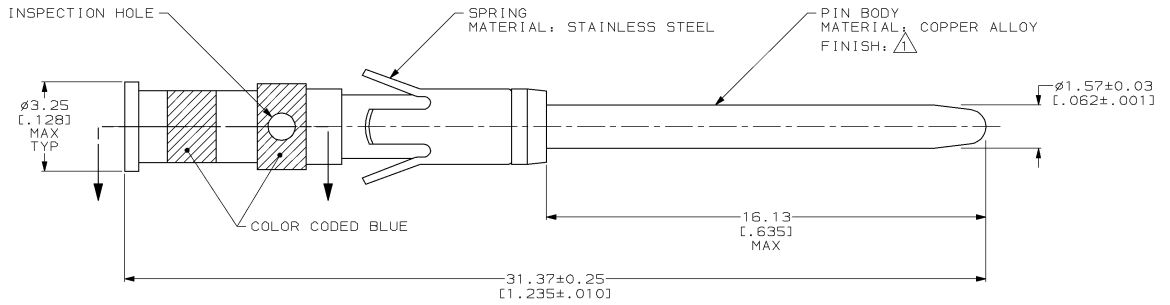
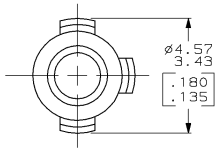
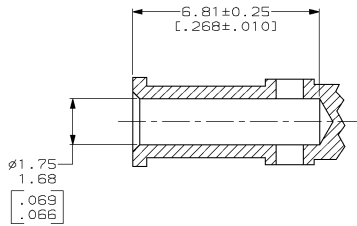
3

2

1

THIS DRAWING IS UNPUBLISHED.  
 RELEASED FOR PUBLICATION  
 BY AMP INCORPORATED. ALL RIGHTS RESERVED.

LOC	DIST	REVISIONS			
F	LWR	DESCRIPTION	DATE	OWN	APPD
FT	8				
		K	REDRAWN W/O CHANGE PER EC 0320-109-96	04 DEC 97	-



TAPE MTG DETAIL  
 SCALE 2:1

Δ 0.76µm [.000030] MIN GOLD OVER 1.27µm [.000050] MIN NICKEL.

TAPE MTD	204219-3
STANDARD	204219-1
PACKAGING TYPE	PART NUMBER

THIS DRAWING IS A CONTROLLED DOCUMENT.		DN: S. CARBO 04 DEC 97	AMP Incorporated Harrisburg, PA 17105-3608
DIMENSIONS: mm (INCHES)		CHK: R. STONE 10 DEC 97	
TOLERANCES UNLESS SPECIFIED:		APPD: B. STEINHAUER 06 JAN 98	<b>#16 PIN CONTACT ASSY,          #16-18 WIRE SIZE</b>
Ø PLG ±.0005 Ø PLG ±.001 Ø PLG ±.013 (.005) H PLG ±.001 H PLG ±.001 ANGLES ±.001		NAME: B. STEINHAUER	
MATERIAL: SEE CALLOUTS		PRODUCT SPEC: APPLICATION SPEC	
FINISH: SEE CALLOUTS		WEIGHT: -	
CUSTOMER DRAWING		SIZE: A2	CASE CODE: 00779 DRAWING NO: 204219 RESTRICTED TO: -
		SCALE: 10:1	SHEET: 1 OF 1
			REV: K

204219

B

A