

4

3

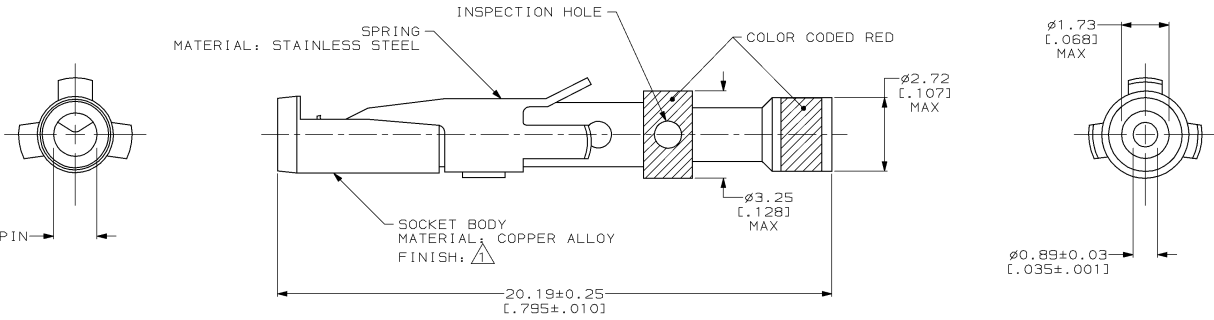
2

1

THIS DRAWING IS UNPUBLISHED. RELEASED FOR PUBLICATION
 BY AMP INCORPORATED. ALL RIGHTS RESERVED.

LOC	DIST	REVISIONS			
F	LWR	DESCRIPTION	DATE	OWN	APPD
FT	8				
R		REDRAWN W/O CHANGE PER EC 0320-98-96	24 NOV 97	-	-

ACCEPTS $\phi 1.57 \pm 0.03$ PIN
 [.062 ± .001]



\triangle 0.76 μm [.000030] MIN GOLD OVER 1.27 μm [.000050] MIN NICKEL.

201613-1

PART NUMBER

THIS DRAWING IS A CONTROLLED DOCUMENT.		DRN: S. CARBO 24 NOV 97	AMP Incorporated Harrisburg, PA 17105-3608
		CHK: R. STONE 09 DEC 97	
DIMENSIONS: mm (INCHES)		APPRO: J. STEINHAUER 16 DEC 97	NAME: CONTACT ASSEMBLY, SOCKET, #16, 24-28AWG, TYPE II
TOLERANCES UNLESS SPECIFIED:		APPL: -	SIZE: CASE CODE DRAWING NO: A200779
0.0125 (1/8) ± .0005 0.025 (1/4) ± .001 0.05 (1/2) ± .002 0.1 (1/2) ± .005 H. P.L.C. ANGLES ± .5°		APPL: -	RESTRICTED TO: -
MATERIAL: SEE CALLOUTS		FINISH: SEE CALLOUTS	SCALE: 10:1
CUSTOMER DRAWING		REVISION: 1	SHEET: 1 OF 1

201613

B

A