

4

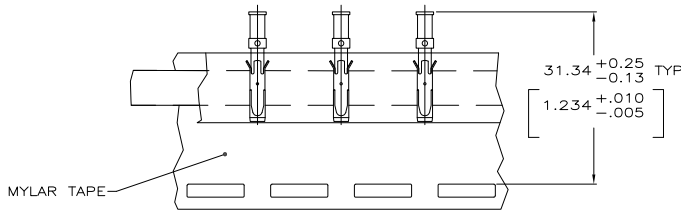
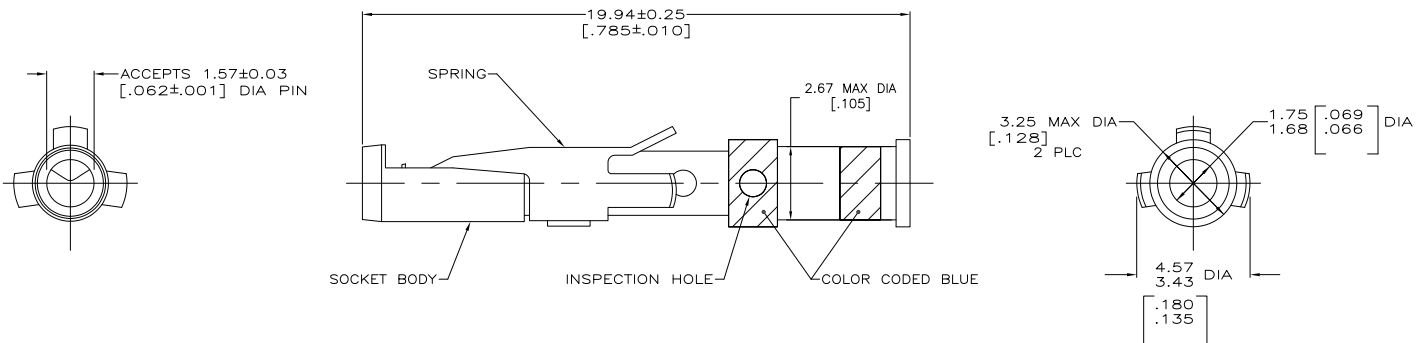
3

2

1

THIS DRAWING IS UNPUBLISHED. RELEASED FOR PUBLICATION  
 BY TYCO ELECTRONICS CORPORATION. ALL RIGHTS RESERVED.

LOC	DIST	REVISIONS					
FT	0	P	LR	DESCRIPTION	DATE	BY	APPD
		AU		REVISED PER DG38-0288-04	4/5/04	SS	GS
		AU1		REVISED PER ECO-10-000443	13JAN10	KK	HMR



TAPE MTG DETAIL  
SCALE 2:1

- △ 0.76 $\mu$ m [.000030] MIN GOLD OVER 1.27 $\mu$ m [.000050] MIN NICKEL.
- △ 1.27 $\mu$ m [.000050] MIN GOLD OVER 1.27 $\mu$ m [.000050] MIN NICKEL.
- △ WHEN ORDERING CONTACT ASSEMBLY ON TAPE, ORDER BY THE TAPE NUMBER PLUS THE PACKAGING CODE AS FOLLOWS:
  1. FOR USE WITH AMP TAPETRONIC, PNEUMATIC TOOL—
    - A. 1000 PARTS TO A BOX ADD PACKAGING CODE: 1MBOX
  2. FOR USE WITH 4/8 INDENT STRIPPER CRIMPER—
    - A. 1000 PARTS TO A REEL ADD PACKAGING CODE: 1MREEL
    - B. 5000 PARTS TO A REEL ADD PACKAGING CODE: 5MREEL

△ NO COLOR CODING.

△ PRELIMINARY PART NUMBER.

△ OBSOLETE PARTS: OBSOLETE CIS STREAMLINING PER D.RENAUD/D.SINISI

△	STANDARD	△	1-200333-9
△	SMALL PACK	△	1-200333-8
△	STANDARD	△	1-200333-4
△	TAPE MTG (SEE DETAIL)	△	200333-8
△	STANDARD	△	200333-1
	PACKAGING TYPE	SOCKET BODY FINISH	PART NO.
THIS DRAWING IS A CONTROLLED DOCUMENT.		Tyco Electronics Corporation Harrisburg, Pa 17105-3608	
DIMENSIONS: INCHES	0 PLG ± .010 1 PLG ± .010 2 PLG ± .010 3 PLG ± .010 4 PLG ± .010 ANGLES ± .010	DATE: 04/05/93 BY: D.GELTZ CHK: S. STONE APPD: — PRODUCT SPEC: — APPLICATION SPEC: — WEIGHT: —	SIZE: A2 CASE CODE: 00779 DRAWING NO: C=200333
MATERIAL: SOCKET BODY: COPPER ALLOY SPRING: STAINLESS STEEL	FINISH: SOCKET BODY: SEE TABLE	RESTRICTED TO: —	CUSTOMER DRAWING
SCALE: 10:1		SHEET: 1 OF 1	REV: AU1

AMP 1471-9 REV 31MM2000

H:\dm\_mod\200333\_1-c.dwg

200333

B

A