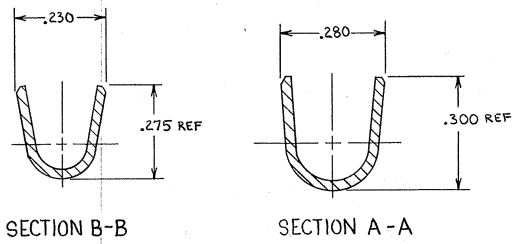
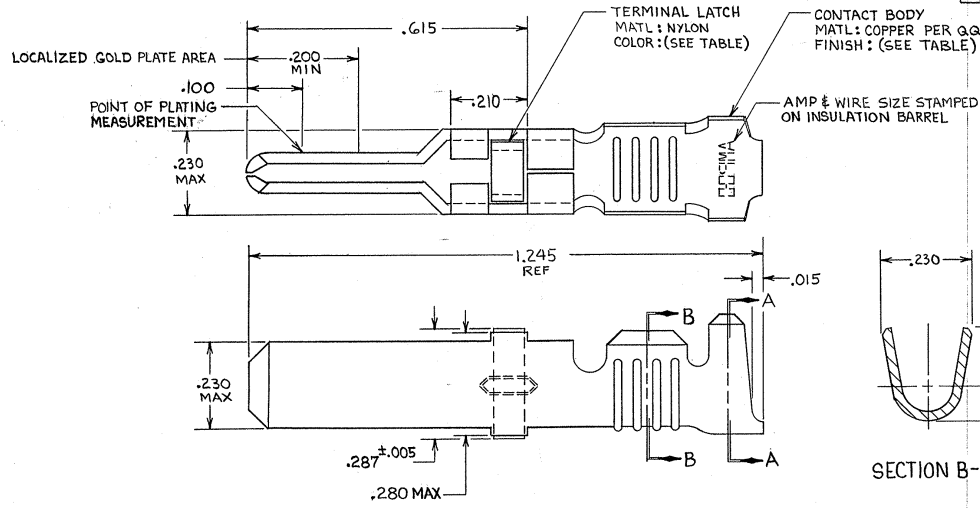


DRAWING MADE IN THIRD ANGLE PROJECTION

THIS DRAWING IS UNPUBLISHED. RELEASED FOR PUBLICATION 19

© COPYRIGHT 19 BY AMP INCORPORATED, HARRISBURG, PA. ALL INTERNATIONAL RIGHTS RESERVED. AMP PRODUCTS MAY BE COVERED BY U.S. AND FOREIGN PATENTS AND/OR PATENTS PENDING.

REVOLUTIONS		DATE	APPROVED
✓	V	3-20-85	<i>[Signature]</i>
✓	W	3-4-87	<i>[Signature]</i>
✓	Y	11-25-92	<i>[Signature]</i>
✓	Z	5-03	<i>[Signature]</i>



- ▲ REELED FOR USE WITH STANDARD APPLICATORS.
- ▲ REELED FOR USE WITH HEAVY DUTY MINI-APPLICATORS.
- ▲ PLATED WITH .000100 MIN SILVER PER Q.Q.-S-345.
- ▲ PLATED WITH .000015 MIN GOLD PER MIL-G-45204 IN THE LOCALIZED GOLD PLATE AREA, GOLD FLASH ON THE REMAINDER, OVER .000030 MIN NICKEL PER Q.Q.-N-290.
- ▲ PLATED WITH .000030 MIN GOLD PER MIL-G-45204 IN THE LOCALIZED GOLD PLATE AREA, GOLD FLASH ON THE REMAINDER, OVER .000030 MIN NICKEL PER Q.Q.-N-290.
- ▲ PLATED WITH .000050 MIN 93-7% TIN-LEAD ALLOY OVER .000030 MIN NICKEL PER Q.Q.-N-290.
- 7. WIRE RANGE = 10 AWG.
- 8. INSULATION RANGE = .190 - .220 DIA.
- ▲ PLATED TIN (NO LEAD), .000050 MIN THK PER ASTM-B-345 OVER NICKEL .000030 MIN THK PER Q.Q.-N-290.

TERMINAL LATCH COLOR	FINISH	STRIP ASSY P/N REF	STRIP ASSY P/N REF	LOOSE PIECE P/N ASSY
BLACK	▲	1-66253-0	66253-9	66259-5
NATURAL	▲	66253-8	66253-4	66259-4
BLACK	▲	66253-7	66253-1	66259-3
BLACK	▲	66253-6	66253-2	66259-2
BLACK	▲	66253-5	66253-1	66259-1

UNLESS OTHERWISE SPECIFIED DIMENSIONS ARE IN INCHES. TOLERANCES ON: DECIMALS ±.010 ANGLES 1/2	CONTRACT NO	AMP AMP INCORPORATED Harrisburg, Pa. 17105		
MATERIAL SEE CALLOUT	DR <i>[Signature]</i> 7-27-85	NAME MALE TYPE XII CONTACT LOOSE PIECE ASSY		
FINISH SEE DASH NO	CHKD <i>[Signature]</i> 10-1-85	SIZE C	FSCM NO 00779	DRAWING NO 66259
	APPD <i>[Signature]</i> 12-1-85	SCALE NTS	SHEET	
	DSGN APPD <i>[Signature]</i> 10-3-85	OTHER APPD		

CUSTOMER DRAWING

66259