

4

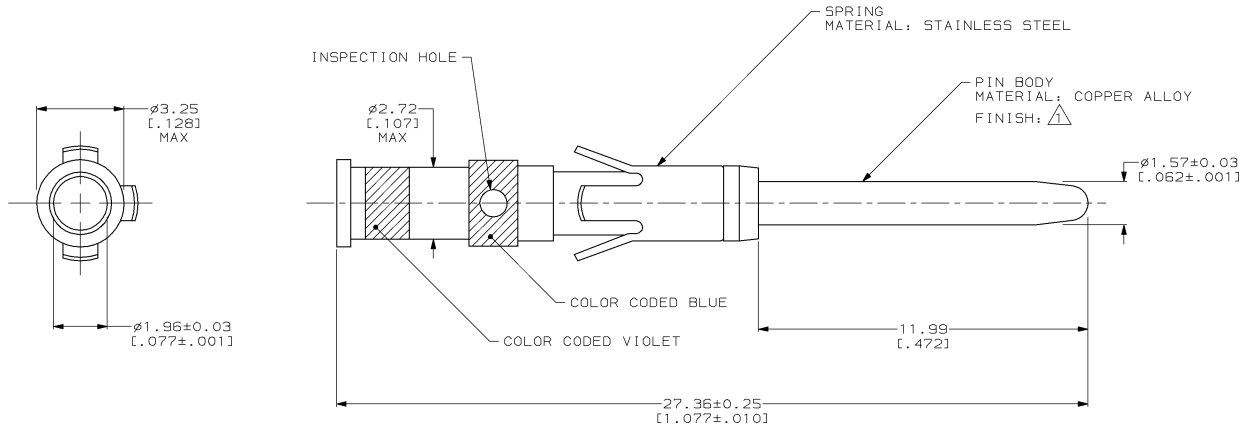
3

2

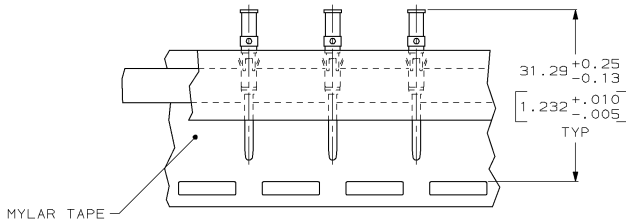
1

THIS DRAWING IS UNPUBLISHED. RELEASED FOR PUBLICATION BY AMP INCORPORATED. ALL RIGHTS RESERVED. COPYRIGHT 19

LOC	DIST	REVISIONS			
F	LWR	DESCRIPTION	DATE	OWN	APPD
FT	8				
S		REDRAWN W/O CHANGE PER EC 0320-98-96	20 NOV 97	-	-



- Δ 0.76μm [0.00030] MIN GOLD OVER 1.27μm [0.00050] MIN NICKEL.
- Δ WHEN ORDERING CONTACT ASSEMBLY ON TAPE, ORDER BY THE TAPE NUMBER PLUS THE PACKAGING CODE AS FOLLOWS:
  1. FOR USE WITH AMP TAPETRONIC, PNEUMATIC TOOL-
    - A. 1000 PARTS TO A BOX ADD PACKAGING CODE: 1MBOX
    - B. 5000 PARTS TO A REEL ADD PACKAGING CODE: 5MREEL
  2. FOR USE WITH 4/8 INDENT STRIPPER CRIMPER-
    - A. 1000 PARTS TO A REEL ADD PACKAGING CODE: 1MREEL
    - B. 5000 PARTS TO A REEL ADD PACKAGING CODE: 5MREEL



TAPE MTG DETAIL  
SCALE 2:1

TAPE MTD	201570-2
STANDARD	201570-1
PACKAGING TYPE	PART NUMBER

THIS DRAWING IS A CONTROLLED DOCUMENT.		DN: S. CARBO 20 NOV 97	<b>AMP</b> AMP Incorporated Harrisburg, PA 17105-3608
DIMENSIONS: mm (INCHES)		CK: G. STONE 09 DEC 97	
DRAWN BY: S. STEINHAUER		APP: S. STEINHAUER 16 DEC 97	NAME: CONTACT ASSEMBLY, PIN, #16, 14AWG, TYPE II
MATERIAL: SEE CALLOUTS		FINISH: SEE CALLOUTS	
CUSTOMER DRAWING		SCALE: 10:1	SHEET 1 OF 1

201570

B

A