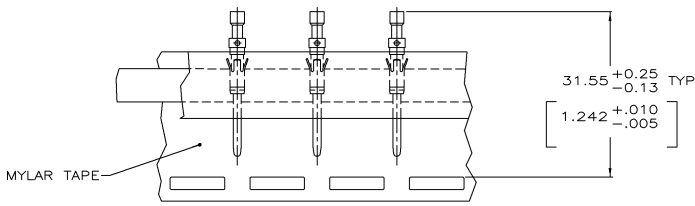
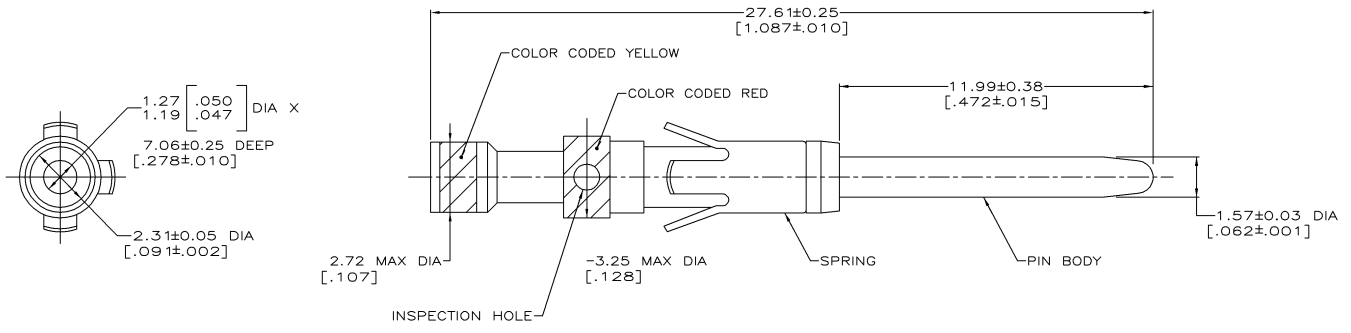


DRAWING MADE IN THIRD ANGLE PROJECTION
 THIS DRAWING IS UNPUBLISHED. RELEASED FOR PUBLICATION .19
 © COPYRIGHT 19 BY AMP INCORPORATED. ALL INTERNATIONAL RIGHTS RESERVED.

REV	DATE	DESCRIPTION	DATE	APPD
W	04/06/93	ADDED -7 PER NPR 4680 AND REDRAWN ON CAD	-	-
W1	07/12/08	REVISION PER ECO-10-000030	-	AG



TAPE MTG DETAIL
SCALE 2:1

- ⚠ 0.76µm [.000030] MIN GOLD OVER 1.27µm [.000050] MIN NICKEL.
- ⚠ WHEN ORDERING CONTACT ASSEMBLY ON TAPE, ORDER BY THE TAPE NUMBER PLUS THE PACKAGING CODE AS FOLLOWS:
 1. FOR USE WITH AMP TAPETRONIC, PNEUMATIC TOOL—
 - A. 1000 PARTS TO A BOX ADD PACKAGING CODE: 1MBOX
 2. FOR USE WITH 4/8 INDENT STRIPPER CRIMPER—
 - A. 1000 PARTS TO A REEL ADD PACKAGING CODE: 1MREEL
 - B. 5000 PARTS TO A REEL ADD PACKAGING CODE: 5MREEL
- ⚠ OBSOLETE PARTS: OBSOLETE CIS STREAMLINING PER D.RENAUD/D.SINISI

OBsolete	SMALL PACK	201330-7
	TAPE MTG (SEE DETAIL) ⚠	201330-6
	STANDARD	201330-1
	PACKAGING TYPE	PART NO

DO NOT SCALE PRINT. UNLESS SPECIFIED DIMENSIONS IN mm [INCHES] TOLERANCES ON: 2 PLC DEC ± - 3 PLC DEC ± - ANGLES ± -	DR 04/06/93 D.GELTZ CHK 4-26-93 R.STONE APPD 4-29-93 R.S.KLINE	AMP Incorporated Harrisburg, PA 17105-3608
MATERIAL PIN BODY: COPPER ALLOY SPRING: STAINLESS STEEL	NAME CONTACT ASSEMBLY, PIN, #6, 20-24 AWG, TYPE II	
FINISH PIN BODY: ⚠	APPLICATION SPEC - WEIGHT -	SIZE CAGE CODE 00779 DRAWING NO C=201330
	SCALE 10:1	SHEET 1 OF 1

THIS DRAWING IS A CONTROLLED DOCUMENT FOR AMP INCORPORATED. IT IS SUBJECT TO CHANGE AND THE CONTROLLING ENGINEERING ORGANIZATION SHOULD BE CONTACTED FOR THE LATEST REVISION.