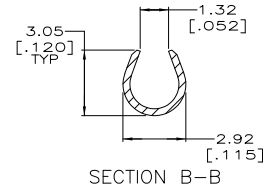
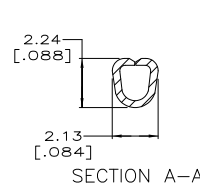
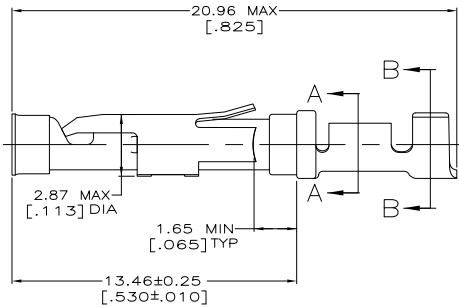
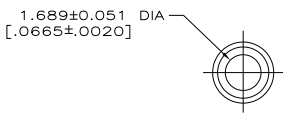
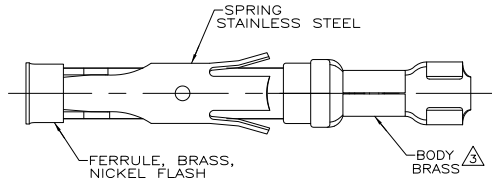


THE DRAWING IS UNPUBLISHED.
 RELEASED FOR PUBLICATION
 ALL RIGHTS RESERVED.

LOC	QST	REVISIONS			
FT	47	REV	DESCRIPTION	DATE	BY
		J1	REVISED PER ECO-11-005027	11MAR11	RK

1. WIRE RANGE 18-16 AWG.
 2. COLOR CODED BLUE IN SPRING DIMPLE AREA.
- ⚠ 0.76 μm [.000030] MIN GOLD PER MIL-G-45204 ON MATING END FOR A LENGTH OF 5.08 [.200] MIN WITH A UNIFORM GRADIENT TO 0.25 μm [.000010] MIN GOLD PER MIL-G-45204 ON INSULATION SUPPORT BARREL OVER 0.76 μm [.000030] MIN NICKEL PER QQ-N-290.



SMALL PACK	66181-3
STANDARD	66181-1
PACKAGING TYPE	PART NO

THIS DRAWING IS A CONTROLLED DOCUMENT.		DRN	R. SHIREY	7-29-91																																																																																																																																																																																																													
		DR	R. STONE	9-19-91																																																																																																																																																																																																													
		APR	L. WESTMAN	9-20-91																																																																																																																																																																																																													
DIMENSIONS: IN (MILLIMETERS) UNLESS OTHERWISE SPECIFIED:		PRODUCT SPEC		TE Connectivity																																																																																																																																																																																																													
<table border="1"> <tr><td>Ø</td><td>P.L.C.</td><td>±</td><td>-</td></tr> <tr><td>1</td><td>P.L.C.</td><td>±</td><td>-</td></tr> <tr><td>2</td><td>P.L.C.</td><td>±</td><td>0.13(.005)</td></tr> <tr><td>3</td><td>P.L.C.</td><td>±</td><td>-</td></tr> <tr><td>4</td><td>P.L.C.</td><td>±</td><td>-</td></tr> <tr><td>5</td><td>P.L.C.</td><td>±</td><td>-</td></tr> <tr><td>6</td><td>P.L.C.</td><td>±</td><td>-</td></tr> <tr><td>7</td><td>P.L.C.</td><td>±</td><td>-</td></tr> <tr><td>8</td><td>P.L.C.</td><td>±</td><td>-</td></tr> <tr><td>9</td><td>P.L.C.</td><td>±</td><td>-</td></tr> <tr><td>10</td><td>P.L.C.</td><td>±</td><td>-</td></tr> <tr><td>11</td><td>P.L.C.</td><td>±</td><td>-</td></tr> <tr><td>12</td><td>P.L.C.</td><td>±</td><td>-</td></tr> <tr><td>13</td><td>P.L.C.</td><td>±</td><td>-</td></tr> <tr><td>14</td><td>P.L.C.</td><td>±</td><td>-</td></tr> <tr><td>15</td><td>P.L.C.</td><td>±</td><td>-</td></tr> <tr><td>16</td><td>P.L.C.</td><td>±</td><td>-</td></tr> <tr><td>17</td><td>P.L.C.</td><td>±</td><td>-</td></tr> <tr><td>18</td><td>P.L.C.</td><td>±</td><td>-</td></tr> <tr><td>19</td><td>P.L.C.</td><td>±</td><td>-</td></tr> <tr><td>20</td><td>P.L.C.</td><td>±</td><td>-</td></tr> <tr><td>21</td><td>P.L.C.</td><td>±</td><td>-</td></tr> <tr><td>22</td><td>P.L.C.</td><td>±</td><td>-</td></tr> <tr><td>23</td><td>P.L.C.</td><td>±</td><td>-</td></tr> <tr><td>24</td><td>P.L.C.</td><td>±</td><td>-</td></tr> <tr><td>25</td><td>P.L.C.</td><td>±</td><td>-</td></tr> <tr><td>26</td><td>P.L.C.</td><td>±</td><td>-</td></tr> <tr><td>27</td><td>P.L.C.</td><td>±</td><td>-</td></tr> <tr><td>28</td><td>P.L.C.</td><td>±</td><td>-</td></tr> <tr><td>29</td><td>P.L.C.</td><td>±</td><td>-</td></tr> <tr><td>30</td><td>P.L.C.</td><td>±</td><td>-</td></tr> <tr><td>31</td><td>P.L.C.</td><td>±</td><td>-</td></tr> <tr><td>32</td><td>P.L.C.</td><td>±</td><td>-</td></tr> <tr><td>33</td><td>P.L.C.</td><td>±</td><td>-</td></tr> <tr><td>34</td><td>P.L.C.</td><td>±</td><td>-</td></tr> <tr><td>35</td><td>P.L.C.</td><td>±</td><td>-</td></tr> <tr><td>36</td><td>P.L.C.</td><td>±</td><td>-</td></tr> <tr><td>37</td><td>P.L.C.</td><td>±</td><td>-</td></tr> <tr><td>38</td><td>P.L.C.</td><td>±</td><td>-</td></tr> <tr><td>39</td><td>P.L.C.</td><td>±</td><td>-</td></tr> <tr><td>40</td><td>P.L.C.</td><td>±</td><td>-</td></tr> <tr><td>41</td><td>P.L.C.</td><td>±</td><td>-</td></tr> <tr><td>42</td><td>P.L.C.</td><td>±</td><td>-</td></tr> <tr><td>43</td><td>P.L.C.</td><td>±</td><td>-</td></tr> <tr><td>44</td><td>P.L.C.</td><td>±</td><td>-</td></tr> <tr><td>45</td><td>P.L.C.</td><td>±</td><td>-</td></tr> <tr><td>46</td><td>P.L.C.</td><td>±</td><td>-</td></tr> <tr><td>47</td><td>P.L.C.</td><td>±</td><td>-</td></tr> <tr><td>48</td><td>P.L.C.</td><td>±</td><td>-</td></tr> <tr><td>49</td><td>P.L.C.</td><td>±</td><td>-</td></tr> <tr><td>50</td><td>P.L.C.</td><td>±</td><td>-</td></tr> </table>		Ø	P.L.C.	±	-	1	P.L.C.	±	-	2	P.L.C.	±	0.13(.005)	3	P.L.C.	±	-	4	P.L.C.	±	-	5	P.L.C.	±	-	6	P.L.C.	±	-	7	P.L.C.	±	-	8	P.L.C.	±	-	9	P.L.C.	±	-	10	P.L.C.	±	-	11	P.L.C.	±	-	12	P.L.C.	±	-	13	P.L.C.	±	-	14	P.L.C.	±	-	15	P.L.C.	±	-	16	P.L.C.	±	-	17	P.L.C.	±	-	18	P.L.C.	±	-	19	P.L.C.	±	-	20	P.L.C.	±	-	21	P.L.C.	±	-	22	P.L.C.	±	-	23	P.L.C.	±	-	24	P.L.C.	±	-	25	P.L.C.	±	-	26	P.L.C.	±	-	27	P.L.C.	±	-	28	P.L.C.	±	-	29	P.L.C.	±	-	30	P.L.C.	±	-	31	P.L.C.	±	-	32	P.L.C.	±	-	33	P.L.C.	±	-	34	P.L.C.	±	-	35	P.L.C.	±	-	36	P.L.C.	±	-	37	P.L.C.	±	-	38	P.L.C.	±	-	39	P.L.C.	±	-	40	P.L.C.	±	-	41	P.L.C.	±	-	42	P.L.C.	±	-	43	P.L.C.	±	-	44	P.L.C.	±	-	45	P.L.C.	±	-	46	P.L.C.	±	-	47	P.L.C.	±	-	48	P.L.C.	±	-	49	P.L.C.	±	-	50	P.L.C.	±	-	APPLICATION SPEC		SOCKET ASSEMBLY, LOOSE PIECE, TYPE III+	
Ø	P.L.C.	±	-																																																																																																																																																																																																														
1	P.L.C.	±	-																																																																																																																																																																																																														
2	P.L.C.	±	0.13(.005)																																																																																																																																																																																																														
3	P.L.C.	±	-																																																																																																																																																																																																														
4	P.L.C.	±	-																																																																																																																																																																																																														
5	P.L.C.	±	-																																																																																																																																																																																																														
6	P.L.C.	±	-																																																																																																																																																																																																														
7	P.L.C.	±	-																																																																																																																																																																																																														
8	P.L.C.	±	-																																																																																																																																																																																																														
9	P.L.C.	±	-																																																																																																																																																																																																														
10	P.L.C.	±	-																																																																																																																																																																																																														
11	P.L.C.	±	-																																																																																																																																																																																																														
12	P.L.C.	±	-																																																																																																																																																																																																														
13	P.L.C.	±	-																																																																																																																																																																																																														
14	P.L.C.	±	-																																																																																																																																																																																																														
15	P.L.C.	±	-																																																																																																																																																																																																														
16	P.L.C.	±	-																																																																																																																																																																																																														
17	P.L.C.	±	-																																																																																																																																																																																																														
18	P.L.C.	±	-																																																																																																																																																																																																														
19	P.L.C.	±	-																																																																																																																																																																																																														
20	P.L.C.	±	-																																																																																																																																																																																																														
21	P.L.C.	±	-																																																																																																																																																																																																														
22	P.L.C.	±	-																																																																																																																																																																																																														
23	P.L.C.	±	-																																																																																																																																																																																																														
24	P.L.C.	±	-																																																																																																																																																																																																														
25	P.L.C.	±	-																																																																																																																																																																																																														
26	P.L.C.	±	-																																																																																																																																																																																																														
27	P.L.C.	±	-																																																																																																																																																																																																														
28	P.L.C.	±	-																																																																																																																																																																																																														
29	P.L.C.	±	-																																																																																																																																																																																																														
30	P.L.C.	±	-																																																																																																																																																																																																														
31	P.L.C.	±	-																																																																																																																																																																																																														
32	P.L.C.	±	-																																																																																																																																																																																																														
33	P.L.C.	±	-																																																																																																																																																																																																														
34	P.L.C.	±	-																																																																																																																																																																																																														
35	P.L.C.	±	-																																																																																																																																																																																																														
36	P.L.C.	±	-																																																																																																																																																																																																														
37	P.L.C.	±	-																																																																																																																																																																																																														
38	P.L.C.	±	-																																																																																																																																																																																																														
39	P.L.C.	±	-																																																																																																																																																																																																														
40	P.L.C.	±	-																																																																																																																																																																																																														
41	P.L.C.	±	-																																																																																																																																																																																																														
42	P.L.C.	±	-																																																																																																																																																																																																														
43	P.L.C.	±	-																																																																																																																																																																																																														
44	P.L.C.	±	-																																																																																																																																																																																																														
45	P.L.C.	±	-																																																																																																																																																																																																														
46	P.L.C.	±	-																																																																																																																																																																																																														
47	P.L.C.	±	-																																																																																																																																																																																																														
48	P.L.C.	±	-																																																																																																																																																																																																														
49	P.L.C.	±	-																																																																																																																																																																																																														
50	P.L.C.	±	-																																																																																																																																																																																																														
MATERIAL	SEE CALLOUTS	WEIGHT	-	SIZE	A2	CAGE CODE	00779	DRAWING NO	66181	RESTRICTED TO	-																																																																																																																																																																																																						
CUSTOMER DRAWING		SCALE		8:1	SHEET	1 of 1	REV	J1																																																																																																																																																																																																									