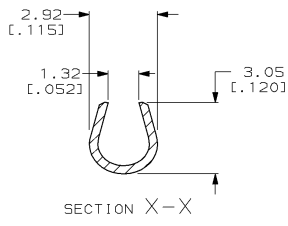
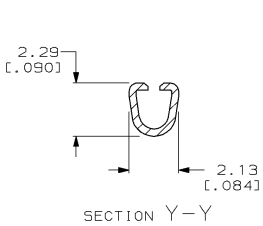
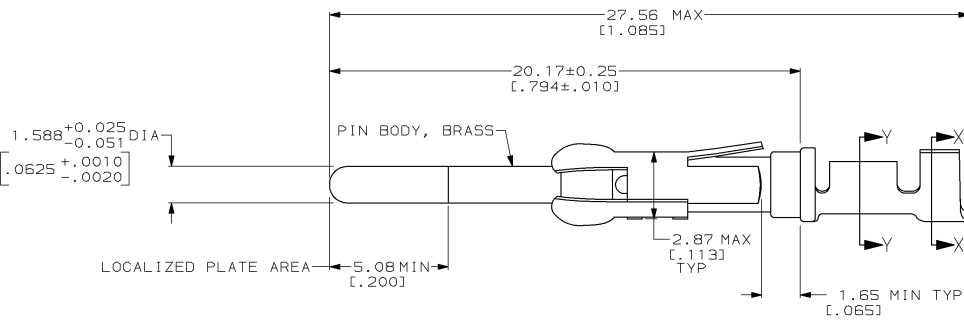
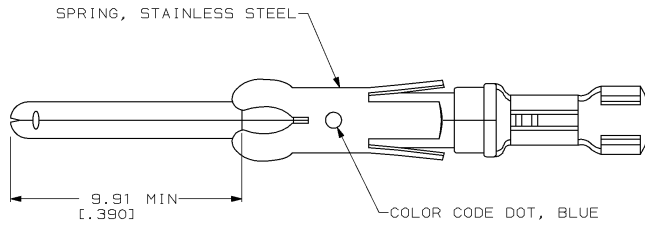


DRAWING MADE IN THIRD ANGLE PROJECTION
 THIS DRAWING IS UNPUBLISHED. RELEASED FOR PUBLICATION
 © COPYRIGHT 19 BY AMP INCORPORATED. ALL INTERNATIONAL RIGHTS RESERVED.

LOC	DIST	P	F	ZONE	LTR	REVISIONS	DATE	APPD
FT	47					H REV & REDRAWN PER ECN 803865	9-27-90	AB
						J ADDED -3 PER NPR 4692	04/15/93	GS
						K REV PER EC 0020-745-94	07/06/94	GS
						L REV PER EC 0320-133-97	7-29-97	PB



1. WIRE RANGE 18-16 AWG.

SMALL PACK		66180-3	
STANDARD		66180-1	
PACKAGING TYPE		PART NO	
AMP AMP Incorporated Harrisburg, PA 17105-3608			
NAME PIN ASSEMBLY, LOOSE PIECE, TYPE III+			
DO NOT SCALE PRINT. UNLESS SPECIFIED DIMENSIONS IN mm [INCHES] TOLERANCES ON: 2 PLC DEC ±0.13[.005] 3 PLC DEC ± ANGLES ± -		DR 9-27-90 H MOLL	SIZE CAGE CODE DRAWING NO 00779 66180
MATERIAL SEE CALL OUT		CHK 12-15-90 J. McCLINTON	SCALE 8:1 SHEET 1 OF 1
FINISH PIN BODY: 0.76µm [0.00030] MIN GOLD IN LOCALIZE PLATE AREA, 0.25µm [0.00010] MIN GOLD ON REMAINDER OVER 1.27µm [0.00050] MIN NICKEL		APPD 12-10-90 A. BOULLIANNE	APPLICATION SPEC
WEIGHT -		PRODUCT SPEC	