

4

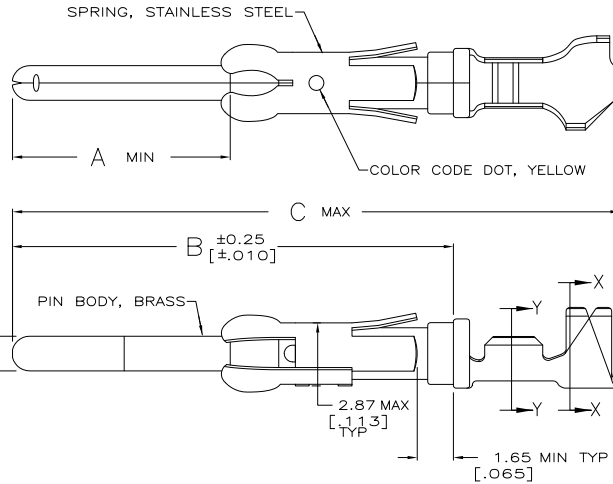
3

2

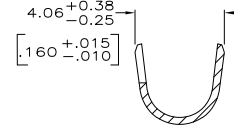
1

THIS DRAWING IS UNPUBLISHED. RELEASED FOR PUBLICATION. ALL RIGHTS RESERVED.

LOC		DIBT		REVISIONS			
FT	47	P	LTR	DESCRIPTION	DATE	MIN	APVD
		P1		REVISED PER ECO-11-004917	11MAR11	RK	HMR



SECTION Y-Y



SECTION X-X

- 1. 1.27µm [.000050] MIN TIN-LEAD OVER
1.27µm [.000050] MIN NICKEL.
- 2. 0.76µm [.000030] MIN PRECIOUS METAL PLATE ON MATING END FOR A LENGTH OF 5.08 [.200] MIN OVER 1.27µm [.000050] MIN NICKEL PLATE. 0.25µm [.000010] MIN GOLD ON THE REMAINDER ALL OVER 1.27µm [.000050] MIN NICKEL. CONFORMS TO THE REQUIREMENTS OF TE CONNECTIVITY PRODUCT SPEC 108-10042, BASED ON EIA/ECA-364-1000.01A (CONTROLLED ENVIRONMENT APPLICATIONS).
- 3. 0.76µm [.000030] MIN PRECIOUS METAL PLATE ON MATING END FOR A LENGTH OF 5.08 [.200] MIN OVER 1.27µm [.000050] MIN NICKEL PLATE. GOLD FLASH ALL OVER. CONFORMS TO THE REQUIREMENTS OF TE CONNECTIVITY PRODUCT SPEC 108-10042, BASED ON EIA/ECA-364-1000.01A (CONTROLLED ENVIRONMENT APPLICATIONS).
- 4. 0.38µm [.000015] MIN GOLD IN LOCALIZED PLATE AREA, GOLD FLASH ON THE REMAINDER ALL OVER 1.27µm [.000050] NICKEL.
- 5. WIRE RANGE 24-20 AWG.
- 6. INSULATION RANGE 1.52[.060]-3.05[.120] DIA.
- 7. 0.38µm [.000015] MIN GOLD PER MIL-G-45204 IN LOCALIZED PLATE AREA, 1.27µm [.000050] MIN TIN-LEAD PER MIL-T-10727 FOR A LENGTH OF 5.69 [.224] MIN ON OPPOSITE END, BOTH OVER 1.27µm [.000050] MIN NICKEL PER QQ-N-290 ON ENTIRE CONTACT.
- 8. 1.27µm [.000050] MIN TIN OVER
1.27µm [.000050] MIN NICKEL.

	27.56 [1.085]	20.17 [.794]	9.91 [.390]	⚠	1-66564-2	66566-7
OBSOLETE	27.56 [1.085]	20.17 [.794]	9.91 [.390]	⚠	1-66564-1	66566-6
OBSOLETE	30.78 [1.212]	23.85 [.939]	13.59 [.535]	⚠	1-66564-0	66566-5
	27.56 [1.085]	20.17 [.794]	9.91 [.390]	⚠	66564-8	66566-4
OBSOLETE	27.56 [1.085]	20.17 [.794]	9.91 [.390]	⚠	-	66566-3
	27.56 [1.085]	20.17 [.794]	9.91 [.390]	⚠	66564-2	66566-2
	27.56 [1.085]	20.17 [.794]	9.91 [.390]	⚠	66564-1	66566-1
	C	B	A	FINISH	STRIP P/N REF	PART NUMBER

THIS DRAWING IS A CONTROLLED DOCUMENT.		MIN	MOLL	10-1-90	TE Connectivity	
DIMENSIONS: INCHES		OK	MCCLENTON	12-15-90	TE Connectivity	
OTHER DIMENSIONS: MILLIMETERS		APD	A BOULLIATINE	12-10-90	PIN ASSEMBLY, LOOSE PIECE, TYPE III+	
MATERIAL: SEE CALL OUT		APPLICATION SPEC: -		SIZE	CAGE CODE	DRAWING NO
FINISH: -		WEIGHT: -		A2	00779	C-66566
PIN BODY: SEE TBL		CUSTOMER DRAWING		SCALE	8:1	SHEET 1 of 1 REV P1