

4

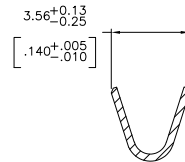
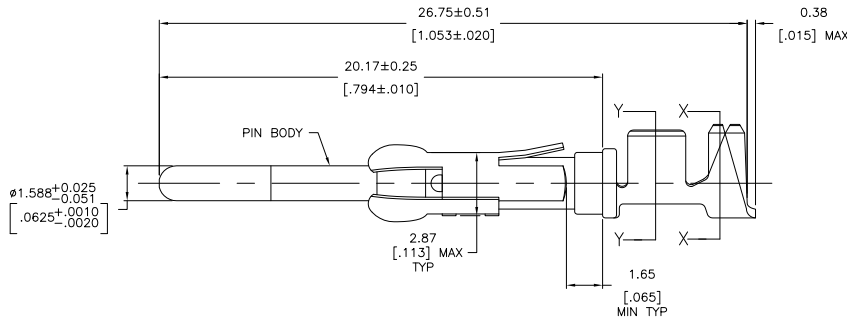
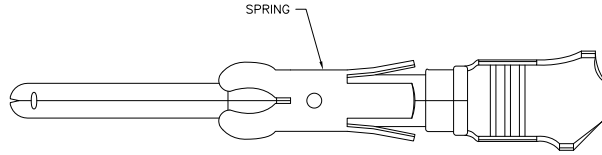
3

2

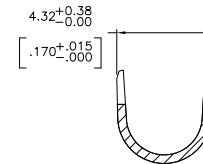
1

THIS DRAWING IS UNPUBLISHED. RELEASED FOR PUBLICATION. ALL RIGHTS RESERVED.

LOC	DIST	REVISIONS				
FT	0	F	LNK	DATE	MIN	APD
		V1	REVISED PER ECO-11-004820	11MAR11	RK	HMR



SECTION Y-Y



SECTION X-X

- 1. 1.27µm [.000050] MIN TIN-LEAD OVER
1.27µm [.000050] MIN NICKEL.
- 2. 0.76µm [.000030] MIN PRECIOUS METAL PLATE ON MATING END FOR A LENGTH OF 5.08 [.200] MIN OVER 1.27µm [.000050] MIN NICKEL PLATE. GOLD FLASH ALL OVER. CONFORMS TO THE REQUIREMENTS OF TE CONNECTIVITY PRODUCT SPEC 108-10042, BASED ON EIA/ECA-364-1000.01A (CONTROLLED ENVIRONMENT APPLICATIONS).
- 3. BRASS PER MIL-C-50.
- 4. PHOSPHOR BRONZE PER QQ-B-750.
- 5. WIRE RANGE 14-18 AWG.
- 6. INSULATION RANGE 2.79[.110]-3.81[.150] DIA.
- 7. 0.38µm [.000015] MIN GOLD PER MIL-G-45204 IN LOCALIZED PLATE AREA, 1.27µm [.000050] MIN TIN-LEAD PER MIL-T-10727 FOR A LENGTH OF 5.69 [.224] MIN ON OPPOSITE END, BOTH OVER 1.27µm [.000050] MIN NICKEL PER QQ-N-290 ON ENTIRE CONTACT.
- 8. 1.27µm [.000050] MIN TIN OVER
1.27µm [.000050] MIN NICKEL.
- 9. CU-NI ALLOY

	SMALL PACK	△	△	△	66597-8	1-66602-1
	STANDARD	△	△	△	1-66597-1	1-66602-0
	STANDARD	△	△	△	1-66597-0	66602-9
	STANDARD	△	△	△	66597-8	66602-8
	SMALL PACK	△	△	△	66597-2	66602-7
	SMALL PACK	△	△	△	66597-1	66602-6
OBSOLETE	STANDARD	△	△	△	66597-7	66602-5
OBSOLETE	STANDARD	△	△	△	66597-5	66602-4
OBSOLETE	STANDARD	△	△	△	66597-4	66602-3
	STANDARD	△	△	△	66597-2	66602-2
	STANDARD	△	△	△	66597-1	66602-1
	MATERIAL				STRIP P/N REF	

THIS DRAWING IS A CONTROLLED DOCUMENT.

DIMENSIONS: mm [INCHES]	DESIGNED BY: H. MOLL 10-2-90	DATE: 10-2-90	TE Connectivity
TOLERANCES UNLESS OTHERWISE SPECIFIED:	CHECKED BY: J. MCCLINTON 12-15-90	DATE: 12-15-90	
0 PLG ± .005	APPROVED BY: A. BOULLIANNE 12-10-90	DATE: 12-10-90	
1 PLG ± .005	PRODUCT SPEC: -		
2 PLG ± 0.1% (.005)	APPLICATION SPEC: -		
3 PLG ± .005	WEIGHT: -		
4 PLG ± .005	HEIGHT: -		
ANGLES ± .005			

MATERIAL: SPRING: SSTL PIN BODY: SEE TBL

SIZE: A2 CASE CODE: 00779 C=66602

CUSTOMER DRAWING SCALE: 8:1 SHEET: 1 of 1 REV: V1