

4

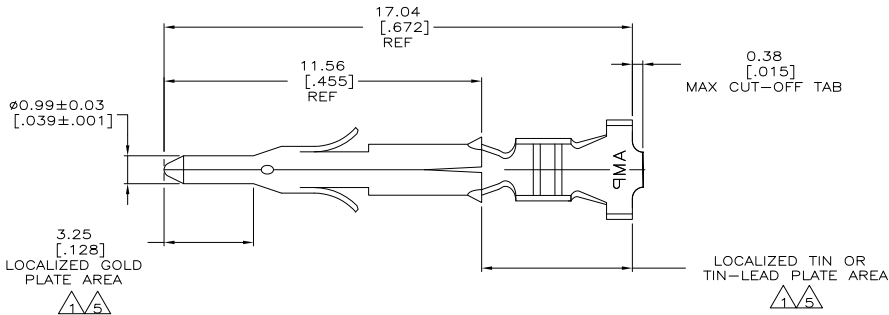
3

2

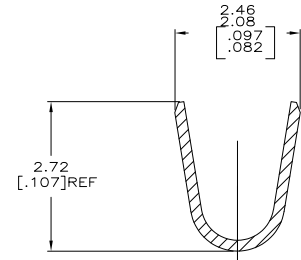
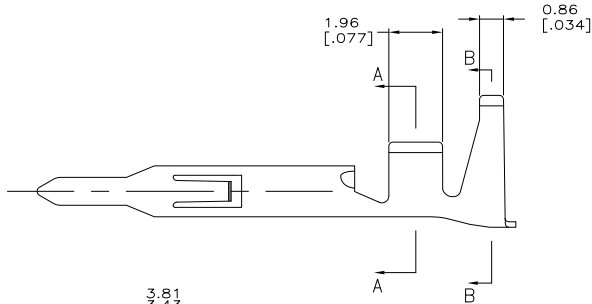
1

THIS DRAWING IS UNPUBLISHED. RELEASED FOR PUBLICATION. ALL RIGHTS RESERVED.

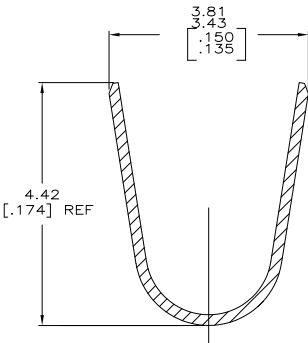
LOC	DIST	REVISIONS		
F	LNK	DESCRIPTION	DATE	BY
CM	00			
	C2	REVISED PER ECO-11-004587	11MAR11	RK HMR



- 1. 0.00076 [0.00030] MIN GOLD IN LOCALIZED GOLD PLATE AREA AND 0.00254 [0.00100] MIN BRIGHT TIN-LEAD IN LOCALIZED TIN-LEAD PLATE AREA OVER 0.0013 [0.00050] MIN NICKEL.
- 2. WIRE RANGE: 0.3 - 0.9mm² (22-18 AWG).
- 3. INSULATION RANGE: 1.50-2.40 [0.60-.094] DIA.
- 4. DIMENSIONS IN BRACKETS ARE IN INCHES.
- 5. 0.00076 [0.00030] MIN GOLD IN LOCALIZED GOLD PLATE AREA AND 0.00254 [0.00100] MIN BRIGHT TIN IN LOCALIZED TIN PLATE AREA OVER 0.0013 [0.00050] MIN NICKEL.



SECTION A-A
SCALE 20:1



SECTION B-B
SCALE 20:1

METRIC

△5	0.20 [.008] BRASS	1-770987-0
△4	0.20 [.008] BRASS	770987-3
PRE-TIN	0.20 [.008] BRASS	770987-1
FINISH	MATERIAL	PART NUMBER

THIS DRAWING IS A CONTROLLED DOCUMENT.		DRM S. HOOVER	OSMARD3	 TE Connectivity
DIMENSIONS: mm [INCHES]		CHK C. JONES	OSMARD3	
TOLERANCES UNLESS OTHERWISE SPECIFIED:		APP'D C. JONES	OSMARD3	
0 PLG ± .010		PRODUCT SPEC	NAME	
1 PLG ± .010		APPLICATION SPEC	SIZE CASE CODE DRAWING NO	RESTRICTED TO
2 PLG ± .010		WEIGHT	A2 00779 C= 770987	
3 PLG ± .010		FINISH	CUSTOMER DRAWING	SCALE 10:1 SHEET 1 of 1 REV C2
4 PLG ± .010				
ANGLES ± .5°				