

4

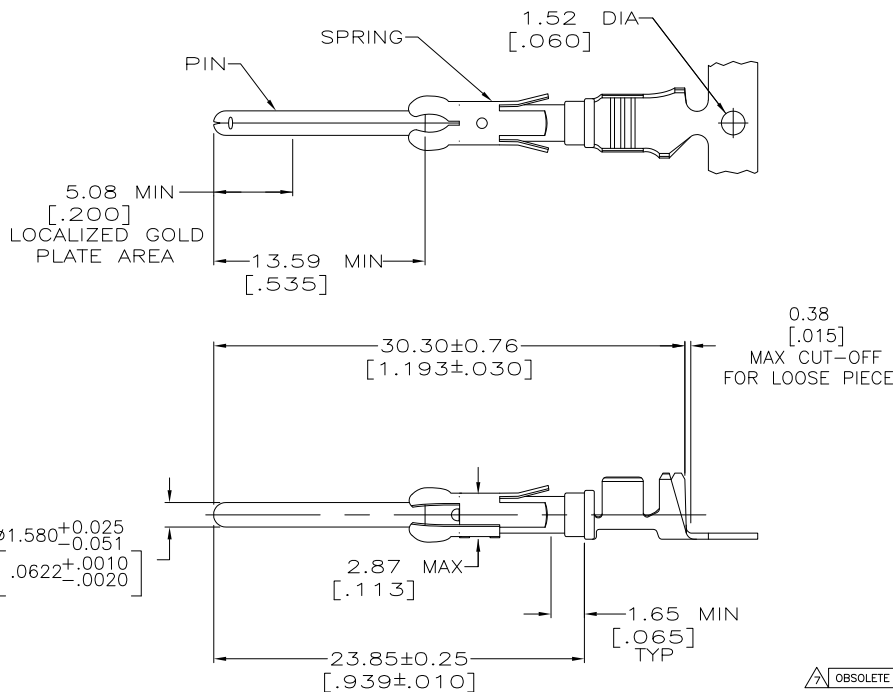
3

2

1

THIS DRAWING IS UNPUBLISHED. RELEASED FOR PUBLICATION
 © COPYRIGHT - BY TYCO ELECTRONICS CORPORATION. ALL RIGHTS RESERVED.

LOC	DIST	REVISIONS					
FT	0	P	LTR	DESCRIPTION	DATE	DWN	APVD
		F1		REVISED PER ECO-06-14999	6/23/06	SS	GS
		F2		REVISED PER ECO-09-020689	26AUG09	KK	AEG



- ① STAINLESS STEEL.
- ② BRASS.
- ③ 1.27um [.000050] MIN TIN-LEAD OVER 1.27um [.000050] MIN NICKEL.
- 4. WIRE RANGE: 14-18 AWG. INSULATION RANGE: 2.79-3.81 [.110-.150] DIA.
- ⑤ 0.76um [.000030] MIN GOLD IN LOCALIZED GOLD PLATE AREA, OVER 1.27um [.000050] MIN NICKEL.
- ⑥ 1.27um [.000050] MIN TIN OVER 1.27um [.000050] MIN NICKEL.
- ⑦ OBSOLETE PARTS: OBSOLETE CIS STREAMLINING PER D.RENAUD/D.SINISI

	LOOSE PIECE	⑥	213603-6
	STRIP	⑥	213603-5
△ OBSOLETE	LOOSE PIECE	⑤	213603-4
	STRIP	⑤	213603-3
	LOOSE PIECE	③	213603-2
	STRIP	③	213603-1
	DESCRIPTION	PIN FINISH	PART NO.

THIS DRAWING IS A CONTROLLED DOCUMENT.		DWN	05/07/90	Tyco Electronics		Tyco Electronics Corporation	
DIMENSIONS: mm [INCHES]		CHK	5-17-90	R. STONE		Harrisburg, PA 17105-3608	
TOLERANCES UNLESS OTHERWISE SPECIFIED:		APVD		NAME		PIN ASSEMBLY, 5015 SERIES, 14-18 AWG, SPECIAL TYPE III+	
0 PLC	± -	PRODUCT SPEC		SIZE		CAGE CODE	DRAWING NO
1 PLC	± -	APPLICATION SPEC		WEIGHT		A3	00779
2 PLC	± 0.13 [.005]	MATERIAL		CUSTOMER DRAWING		SCALE	4:1
3 PLC	± -	FINISH		SEE TABLE		SHEET	1 OF 1
4 PLC	± -	MATERIAL: SPRING: △		PIN: △		REV	F2
ANGLES	± -						

AMP 1470-19 REV 31MAR2000