

4

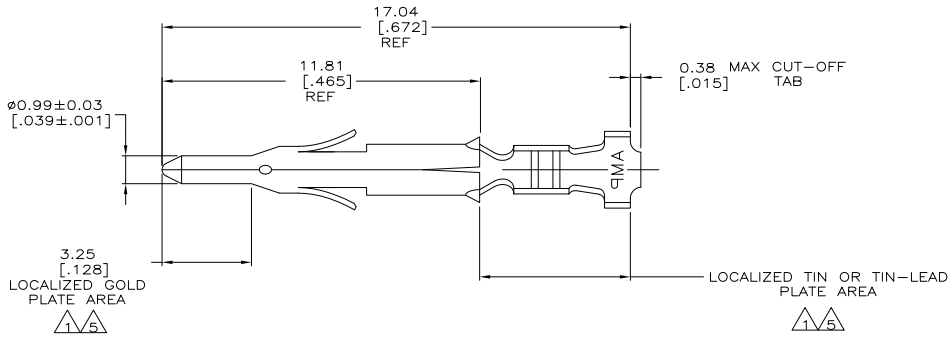
3

2

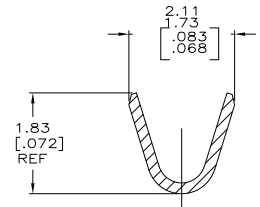
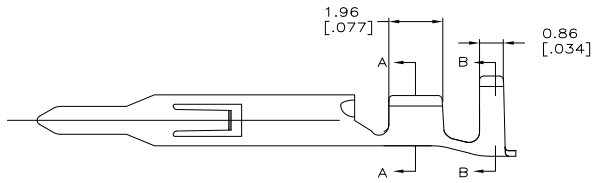
1

THIS DRAWING IS UNPUBLISHED. RELEASED FOR PUBLICATION. ALL RIGHTS RESERVED.

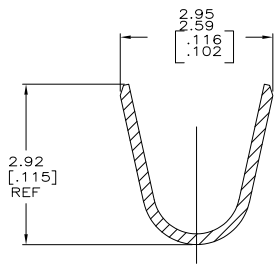
LOC	DIST	REVISIONS		
F	LN	DESCRIPTION	DATE	BY
CM	00			
	G1	REVISED PER ECO-11-004820	11MAR11	RK HMR



- 1. 0.00076 [0.00030] MIN GOLD IN LOCALIZED GOLD PLATE AREA AND 0.00254 [0.00100] MIN BRIGHT TIN-LEAD IN LOCALIZED TIN-LEAD PLATE AREA OVER 0.0013 [0.00050] MIN NICKEL.
- 2. WIRE RANGE: 0.12 - 0.4mm² (26-22 AWG).
- 3. INSULATION RANGE: 1.20-1.75 [0.47-.069] DIA.
- 4. DIMENSIONS IN BRACKETS ARE IN INCHES.
- 5. 0.00076 [0.00030] MIN GOLD IN LOCALIZED GOLD PLATE AREA AND 0.00254 [0.00100] MIN BRIGHT TIN IN LOCALIZED TIN PLATE AREA OVER 0.0013 [0.00050] MIN NICKEL.



SECTION A-A
SCALE 20:1



SECTION B-B
SCALE 20:1



△5	0.20 [0.008] BRASS	1-770985-0
△4	0.20 [0.008] BRASS	770985-3
PRE-TIN	0.20 [0.008] BRASS	770985-1
FINISH	MATERIAL	PART NUMBER

THIS DRAWING IS A CONTROLLED DOCUMENT.		S. HOOVER		TE Connectivity	
DIMENSIONS: mm [INCHES]		DRM	OSMARD3	TE Connectivity	
TOLERANCES UNLESS OTHERWISE SPECIFIED:		CHK	OSMARD3	PIN, LOOSE PIECE	
0 PLG	±	APP	OSMARD3	MINI UNIVERSAL MATE-N-LOK(TM)	
1 PLG	±	PRD	OSMARD3	RESTRICTED TO	
2 PLG	±	APP	OSMARD3	-	
3 PLG	± 0.1% (0.05)	FIN	OSMARD3	-	
4 PLG	±	FIN	OSMARD3	-	
ANGLES	±	FIN	OSMARD3	-	
FINISH	±	FIN	OSMARD3	-	
MATERIAL	-	FIN	OSMARD3	-	
FINISH	-	FIN	OSMARD3	-	
CUSTOMER DRAWING		SIZE	A2	DATE	00779
		SCALE	10:1	SHEET	1 of 1
		REV	G1		