

4

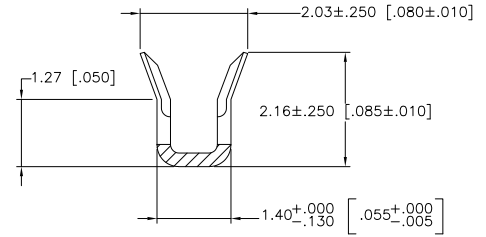
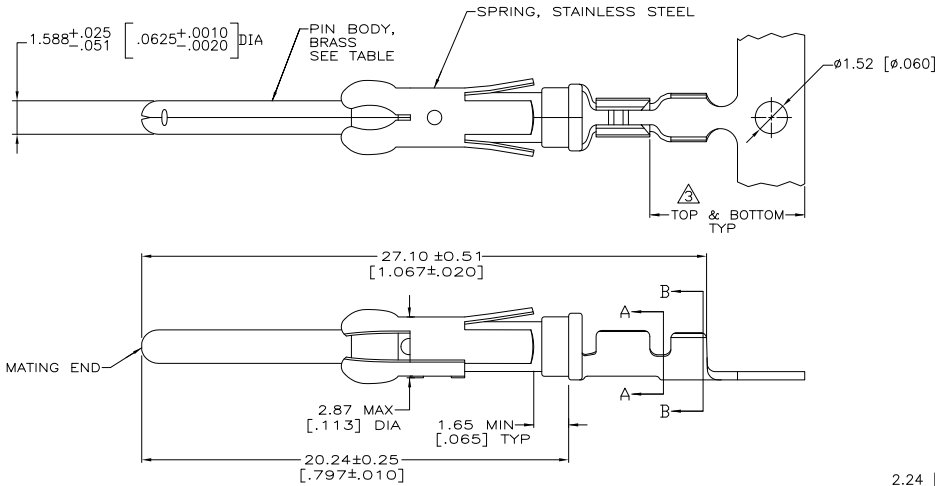
3

2

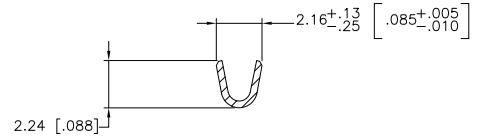
1

THIS DRAWING IS UNPUBLISHED. RELEASED FOR PUBLICATION. ALL RIGHTS RESERVED.

LOC		DIST		REVISIONS			
FT	47	F	LNK	DESCRIPTION	DATE	BY	APPD
		T1		REVISED PER ECO-11-004820	11MAR11	RK	HMR



SECTION A-A



SECTION B-B

△ 0.76µm [.000030] MIN PRECIOUS METAL PLATE ON MATING END FOR A LENGTH OF 5.08 [.200] MIN OVER 1.27µm [.000050] MIN NICKEL PLATE, GOLD FLASH ALL OVER. CONFORMS TO THE REQUIREMENTS OF TE CONNECTIVITY PRODUCT SPEC 108-10042, BASED ON EIA/ECA-364-1000.01A (CONTROLLED ENVIRONMENT APPLICATIONS).

△ REELED FOR MINI-APPLICATOR.
 △ GOLD PLATING NEED NOT APPEAR IN THIS AREA.

△ 0.76µm [.000030] MIN PRECIOUS METAL PLATE ON MATING END FOR A LENGTH OF 5.08 [.200] MIN WITH A UNIFORM GRADIENT TO 0.25µm [.000010] ON REMAINDER, OVER 1.27µm [.000050] MIN NICKEL PLATE. GOLD FLASH ALL OVER. CONFORMS TO THE REQUIREMENTS OF TE CONNECTIVITY PRODUCT SPEC 108-10042, BASED ON EIA/ECA-364-1000.01A (CONTROLLED ENVIRONMENT APPLICATIONS).

△ 0.38µm [.000015] MIN GOLD PER MIL-G-45204 ON MATING END FOR A LENGTH OF 5.08 [.200] MIN WITH GOLD FLASH ON THE REMAINDER, OVER 1.27µm [.000050] NICKEL PER QQ-N-290.

6. WIRE RANGE 26-30 AWG.
 7. INSULATION RANGE 1.02 [.040]-1.52 [.060] DIA.

△ 1.27µm [.000050] MIN TIN-LEAD PER MIL-T-10727 OVER 1.27µm [.000050] MIN NICKEL PER QQ-N-290.

△ 0.38µm [.000015] MIN GOLD PER MIL-G-45204 ON MATING END FOR A LENGTH OF 5.08 [.200] MIN, 1.27 MIL-T-10727 FOR A LENGTH OF 5.69 [.224] MIN ON OPPOSITE END, BOTH OVER 1.27µm [.000050] MIN NICKEL PER QQ-N-290 ON ENTIRE CONTACT.

△ 1.27µm [.000050] MIN TIN PER MIL-T-10727 OVER 1.27µm [.000050] MIN NICKEL PER QQ-N-290.

OBSOLETE	△	△	-	1-66425-2
	△	△	66429-6	1-66425-1
	△	△	66429-4	66425-8
	△	△	66429-3	66425-7
	△	△	-	66425-6
	△	△	66429-1	66425-5
	△	△	66429-4	66425-4
	△	△	66429-3	66425-3
STANDARD	△	66429-1	66425-1	
REELING	PIN BODY FINISH	LOOSE PIECE REF	PART NO.	

THIS DRAWING IS A CONTROLLED DOCUMENT.		DRW V. FURLER 28JUL03	TE Connectivity	
DIMENSIONS: mm [INCHES]		CHK G. STEINHAEUER 28AUG03	PIN ASSEMBLY, .062, TYPE III+	
TOLERANCES UNLESS OTHERWISE SPECIFIED:		APPD G. STEINHAEUER 28AUG03	RESTRICTED TO	
0 PLG ± -	1 PLG ± -	PRODUCT SPEC	SIZE	QAGE CODE
2 PLG ± -	3 PLG ± -	APPLICATION SPEC	A2	00779
4 PLG ± -	ANGLES ± -	WEIGHT	C=	66425
SEE CALLOUTS	SEE TABLE	CUSTOMER DRAWING	SCALE	8:1
			SHEET	1 of 1
			REV	T1