

4

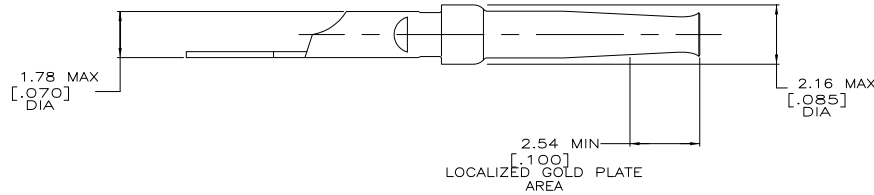
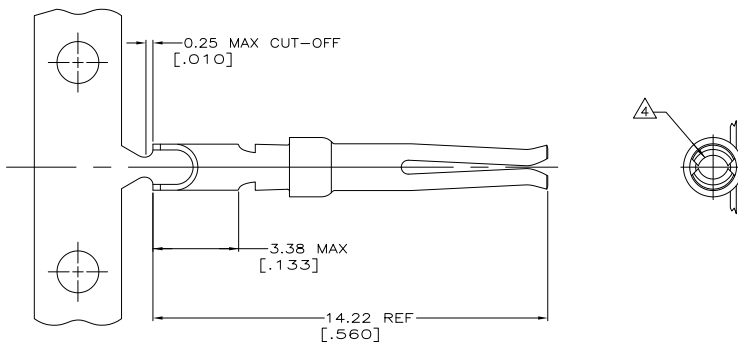
3

2

1

THIS DRAWING IS UNPUBLISHED. RELEASED FOR PUBLICATION. ALL RIGHTS RESERVED.

LOC	DIST	REVISIONS				
GP	00	F	LNK	DATE	MIN	APD
		H1		REVISED PER ECO-11-004835	11MAR11	RK HMR



- △ PHOSPHOR BRONZE PER QQ-B-750.
- △ GOLD PLATED IN LOCALIZED GOLD PLATE AREA AS FOLLOWS:
 PLATED WITH 0.76μm [.000030] GOLD IN LOCALIZED GOLD PLATE AREA, GOLD FLASH ON REMAINDER, OVER 1.27μm [.000050] MIN NICKEL.
 OR
 GOLD FLASH OVER PALLADIUM-NICKEL PLATE, 0.76μm [.000030] MIN TOTAL IN LOCALIZED GOLD PLATE AREA, GOLD FLASH ON REMAINDER, OVER 1.27μm [.000050] MIN NICKEL.
- △ GOLD PLATING PER MIL-G-45204, NICKEL PLATING PER QQ-N-290.
- △ WILL ACCEPT 1.02 [.040] DIA PIN.
- 5. 1.17 [.046] MAX DIA CONDUCTOR (UP TO 18 AWG).

SMALL PACK	LOOSE PIECE	1-66569-0
STANDARD	LOOSE PIECE	66569-3
-	STRIP	66569-2
PACKAGING	TYPE	PART NUMBER

THIS DRAWING IS A CONTROLLED DOCUMENT.		DRN D. HARDY 08 NOV 95	TE Connectivity
DIMENSIONS: mm [INCHES]		CHK S. STONE 14 NOV 95	
TOLERANCES UNLESS OTHERWISE SPECIFIED:		APP'D C. STINSON 08 DEC 95	SOCKET CONTACT, SIZE 20 DF, WITH SOLDER CUP, AMPLIMITE
0 PLC # -		NAME	
1 PLC # -		APPLICATION SPEC	RESTRICTED TO
2 PLC # -		WEIGHT	SIZE CASE CODE DRAWING NO
3 PLC # -		MATERIAL	A2 00779 C-66569
4 PLC # -		FINISH	SCALE 10:1 SHEET 1 of 1 REV H1
ANGLES # -		CUSTOMER DRAWING	

1471-9 (3/11)

66569

A