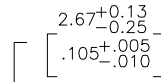
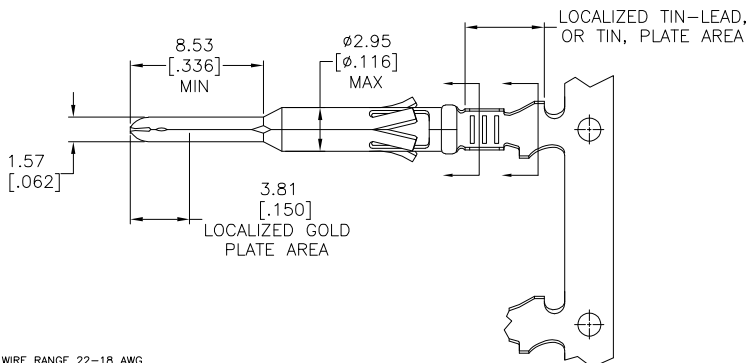
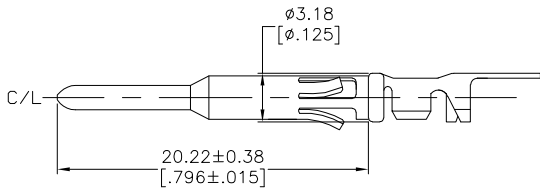
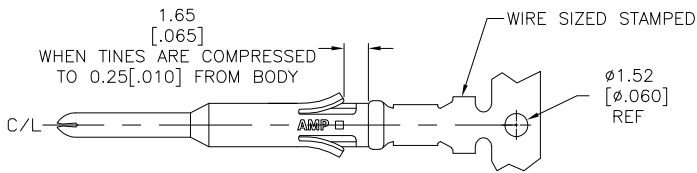
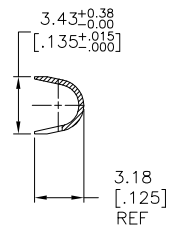


THIS DRAWING IS UNPUBLISHED. RELEASED FOR PUBLICATION  
 COPYRIGHT BY TYCO ELECTRONICS CORPORATION. ALL RIGHTS RESERVED.

LOC	DIST	REVISIONS			
P	LTR	DESCRIPTION	DATE	DWN	APVD
FT	0				
	F1	REV PER ECO-05-13552	11/16/05	SS	GS



SECTION B-B



SECTION A-A

1. WIRE RANGE 22-18 AWG.
  2. INSULATION RANGE 1.27-2.79[.050-.110] DIA.
  3. FOR LOOSE PIECE PART SEE DWG 66591.
- ▲ 0.76µm [.000030] MIN GOLD IN LOCALIZED GOLD PLATE AREA, 1.27µm [.000050] MIN TIN-LEAD IN LOCALIZED TIN-LEAD PLATE AREA, BOTH OVER 1.27µm [.000050] MIN NICKEL.
  - ▲ TIN PLATED.
  - ▲ GOLD PLATING PER MIL-C-45204, TIN PER MIL-T-10727 AND NICKEL PER QQ-N-290.
  - ▲ 0.76µm [.000030] MIN GOLD IN LOCALIZED GOLD PLATE AREA, 1.27µm [.000050] MIN TIN IN LOCALIZED TIN PLATE AREA, BOTH OVER 1.27µm [.000050] MIN NICKEL.

REVERSE REELED FOR MINI-APPLICATOR	▲	66581-7
REVERSE REELED FOR MINI-APPLICATOR	▲▲	66581-4
-	▲▲	66581-3
REVERSE REELED FOR MINI-APPLICATOR	▲▲	66581-2
-	▲▲	66581-1
DESCRIPTION	FINISH	PART NUMBER

THIS DRAWING IS A CONTROLLED DOCUMENT.		DWN	15MAY2003		Tyco Electronics Corporation	
		V. FURLER	16MAY03		Harrisburg, PA 17105-3608	
DIMENSIONS:		CHK	G. STEINHAUER	NAME	CONTACT, PIN, STRIP,	
mm [INCHES]		APVD	G. STEINHAUER		TYPE VI, MULTIMATE	
TOLERANCES UNLESS OTHERWISE SPECIFIED:		PRODUCT SPEC		SIZE	CAGE CODE	DRAWING NO
0 PLC ± -		APPLICATION SPEC		A3	00779	C-66581
1 PLC ± -		WEIGHT		RESTRICTED TO		
2 PLC ± 0.13 [.005]		MATERIAL		CUSTOMER DRAWING		
3 PLC ± -		FINISH		SCALE	NTS	SHEET 1 OF 1
4 PLC ± -		SEE TABLE ▲		REV F1		
ANGLES ± -						