

4

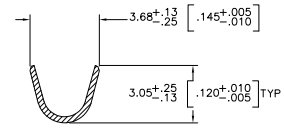
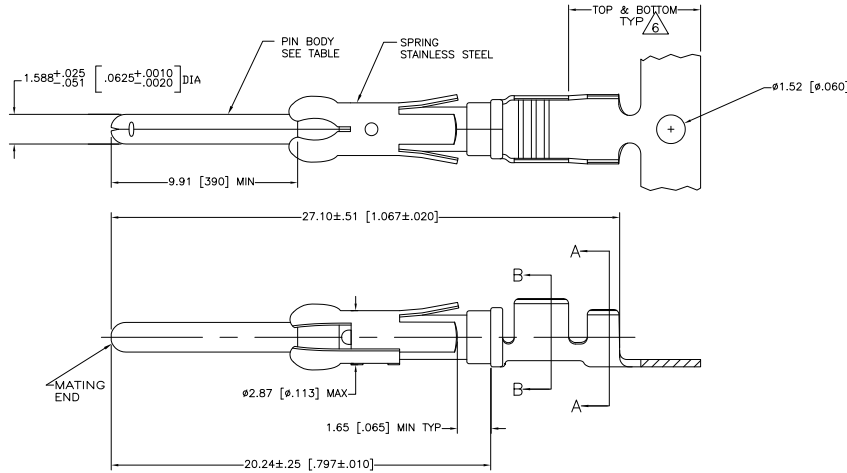
3

2

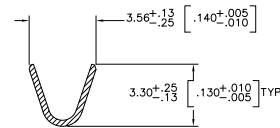
1

THIS DRAWING IS UNPUBLISHED. RELEASED FOR PUBLICATION. ALL RIGHTS RESERVED.

LOC	DIST	REVISIONS				
FT	O	F	LR	DATE	MIN	APD
		AD1		REVISED PER ECO-11-004587	11MAR11	RK HMR



SECTION A-A



SECTION B-B

- 1 REVERSE REELED FOR MINI-APPLICATOR.
- 2 0.76µm [0.00030] MIN PRECIOUS METAL PLATE ON MATING END FOR A LENGTH OF 5.08 [0.200] MIN OVER 1.27µm [0.00050] MIN NICKEL. GOLD FLASH ALL OVER. CONFORMS TO THE REQUIREMENTS OF TE CONNECTIVITY PRODUCT SPEC 108-10042, BASED ON EIA/ECA-364-1000.01 (CONTROLLED ENVIRONMENT APPLICATIONS).
- 3 0.76µm [0.00030] MIN PRECIOUS METAL PLATE ON MATING END FOR A LENGTH OF 5.08 [0.200] MIN WITH A UNIFORM GRADIENT TO 0.25µm [0.00010] MIN ON REMAINDER, OVER 1.27µm [0.00050] MIN NICKEL PLATE. GOLD FLASH ALL OVER. CONFORMS TO THE REQUIREMENTS OF TE CONNECTIVITY PRODUCT SPEC 108-10042, BASED ON EIA/ECA-364-1000.01 (CONTROLLED ENVIRONMENT APPLICATIONS).
- 4 0.38µm [0.00015] MIN GOLD PER MIL-G-45204 ON MATING END FOR A LENGTH OF 5.08 [0.200] MIN WITH GOLD FLASH ON THE REMAINDER OVER 1.27µm [0.00050] MIN NICKEL PER QQ-N-290.
- 5 1.27µm [0.00050] MIN TIN-LEAD PER MIL-T-10727 OVER 1.27µm [0.00050] MIN NICKEL PER QQ-N-290.
- 6 GOLD PLATING NEED NOT APPEAR IN THIS AREA.
- 7 WIRE RANGE 18-14 AWG.
- 8 INSULATION RANGE 2.03[0.080]-2.54[0.100] DIA.
- 9 0.38µm [0.00015] MIN GOLD PER MIL-G-45204 ON MATING END FOR A LENGTH OF 5.08 [0.200] MIN, 1.27µm [0.00050] MIN TIN-LEAD PER MIL-T-10727 FOR A LENGTH OF 5.69 [0.224] MIN ON OPPOSITE END, BOTH OVER 1.27µm [0.00050] MIN NICKEL PER QQ-N-290 ON ENTIRE CONTACT.
- 10 1.27µm [0.00050] MIN TIN PER MIL-T-10727 OVER 1.27µm [0.00050] MIN NICKEL PER QQ-N-290.
- 11 2.54µm [0.00100] MIN SILVER OVER 0.76µm [0.00030] MIN NICKEL PER QQ-N-290

STANDARD	FINISH	MATERIAL	PIN BODY	LOOSE PIECE REF	PART NO
1	1	BRASS			2-66359-0
1	10	CU-NI ALLOY	1-66361-6		1-66359-9
STANDARD	10	BRASS	1-66361-2		1-66359-8
1	5	CU-NI ALLOY	1-66361-5		1-66359-7
1	2	CU-NI ALLOY	1-66361-4		1-66359-6
1	10	PHOSPHOR BRONZE			1-66359-5
1	10	BRASS	1-66361-2		1-66359-4
OBSOLETE	1	BRASS	66361-9		1-66359-3
1	1	PHOSPHOR BRONZE	66361-8		1-66359-2
1	5	PHOSPHOR BRONZE	66361-7		1-66359-1
1	2	BRASS	66361-4		1-66359-0
1	10	BRASS	66361-3		66359-9
1	5	BRASS	66361-2		66359-6
1	3	BRASS	66361-1		66359-5
STANDARD	2	BRASS	66361-4		66359-4
STANDARD	4	BRASS	66361-3		66359-3
STANDARD	5	BRASS	66361-2		66359-2
STANDARD	3	BRASS	66361-1		66359-1
REELING	PIN BODY FINISH	PIN BODY			

THIS DRAWING IS A CONTROLLED DOCUMENT. DWG: V. FURLER 23AA2003
 CHK: G. STEINHAUER 24AX03
 APPR: G. STEINHAUER 24AX03 NAME
 PRODUCT SPEC: APPLICATION SPEC: SIZE: ONE CODE: DRAWING NO: RESTRICTED TO: A2 00779 C=66359
 MATERIAL: SEE CALLOUTS FINISH: SEE TABLE WEIGHT: CUSTOMER DRAWING SCALE: NTS SHEET 1 of 1 REV: AD1

TE Connectivity
 PIN ASSEMBLY, .062, TYPE III+