

4

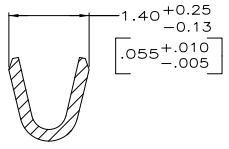
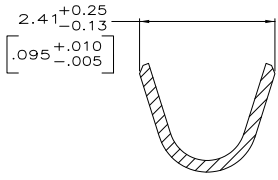
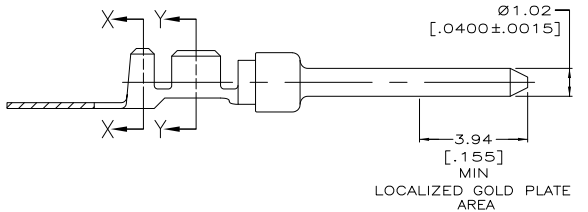
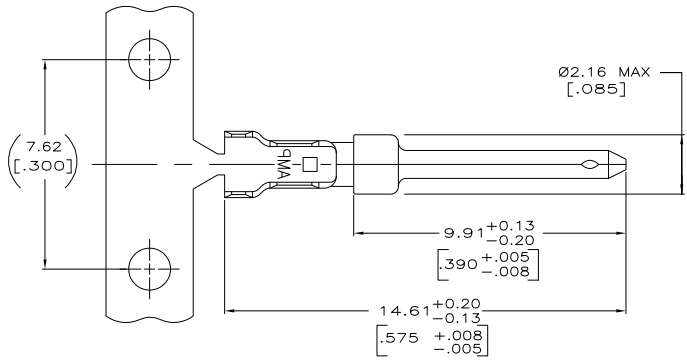
3

2

1

THIS DRAWING IS UNPUBLISHED. RELEASED FOR PUBLICATION. BY TYCO ELECTRONICS CORPORATION. ALL INTERNATIONAL RIGHTS RESERVED.

LOC	DIST	REVISIONS		DATE	BY	APP'D
GP	00	F	LR			
		C		REVISED PER ECO-08-011977	24 JUL 08	JDP/CWR



- △ FOR MINI-APPLICATOR.
- 2. WIRE RANGE OF 24-28 AWG, INSULATION RANGE OF 1.27-1.52 [.050-.060].
- △3 GOLD FLASH PLATED IN LOCALIZED GOLD PLATE AREA, 2.54µm [.000100] MIN TIN PLATED WIRE BARRELS, ALL OVER 0.76µm [.000030] MIN NICKEL UNDERPLATE.
- △4 GOLD PLATED IN LOCALIZED GOLD PLATE AREA AS FOLLOWS: 0.76µm [.000030] MIN GOLD IN MATED AREA, 2.54µm [.000100] MIN TIN ON WIRE BARRELS, ALL OVER 1.27µm [.000050] MIN NICKEL UNDERPLATE. OR GOLD FLASH OVER PALLADIUM-NICKEL PLATE, 0.76µm [.000030] MIN TOTAL IN MATED AREA, 2.54µm [.000100] MIN TIN ON WIRE BARRELS, ALL OVER 1.27µm [.000050] MIN NICKEL UNDERPLATE.

△4	5066682-9
△3	5066682-6
FINISH	PART NUMBER △4

THIS DRAWING IS A CONTROLLED DOCUMENT.		DRN: G. ATTADIA 11-10-04	Tyco Electronics Corporation Harrisburg, PA 17105-3608	
DIMENSIONS: mm [INCHES]		CHK: S. BOLASH 11-10-04	APPROVED: M. WALMSLEY 11-10-04	
TOLERANCES UNLESS OTHERWISE SPECIFIED:		PRODUCT SPEC: 108-40005		
0 PLG ± -	1 PLG ± -	APPLICATION SPEC: 114-10000		
2 PLG ± 0.13 (.005)	3 PLG ± -	WEIGHT: -		
4 PLG ± -	ANGLES ± -	SIZE: A2		
MATERIAL: BRASS	FINISH: SEE TABLE	CUSTOMER DRAWING		RESTRICTED TO: -
		SIZE: 00779	DRAWING NO: C=5066682	SCALE: 10:1
		SHEET: 1 of 1		REV: C

5066682

A